

BulletCamera

MOBOTIX MOVE BC-2-IR

Technical Specifications

- Vari-Focal Lens
- 2.8 to 12 mm Lens
- Wide Dynamic Range (WDR) 120db
- Fixed Iris
- PoE
- Integrated IR LEDs
- IP66
- Extended Temperature Range up to 60 °C



Product Features:

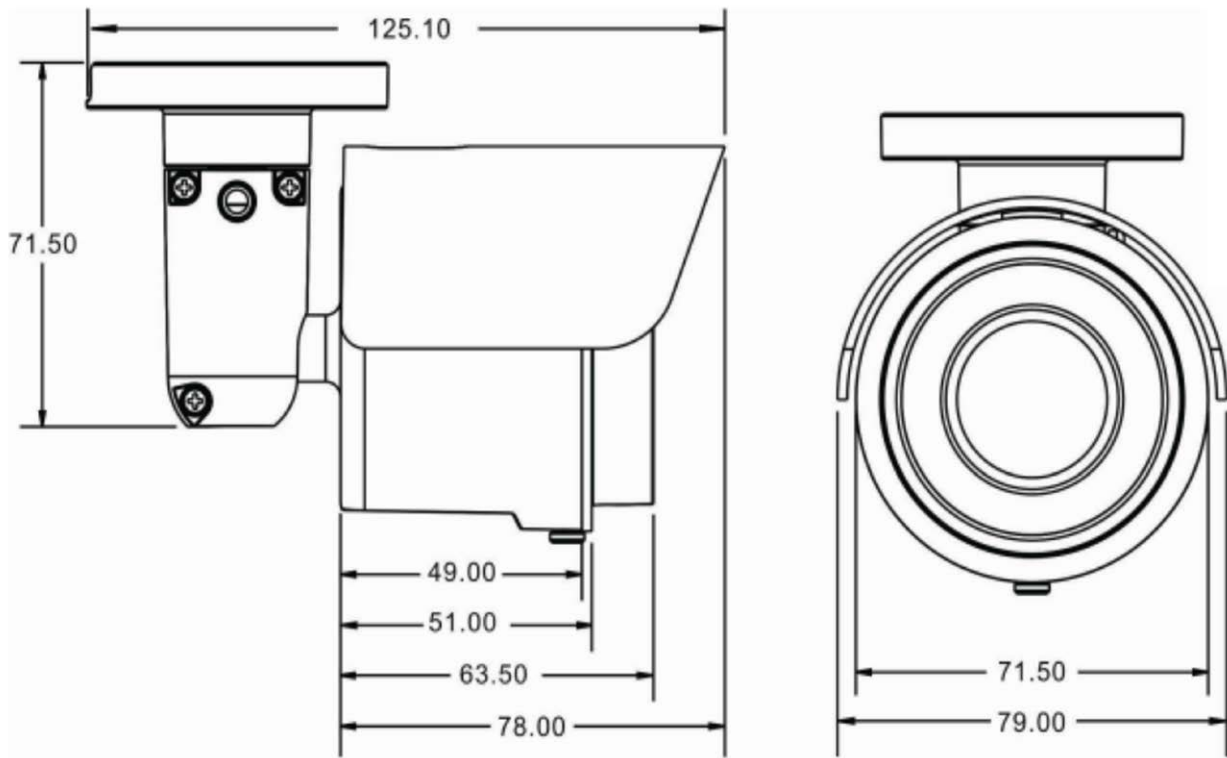
- Multiple Progressive Scan CMOS Sensor Support up to 2M Resolution
- Multi-exposure WDR
- Low Latency Streaming
- Low Power Consumption on Encoding
- Quad codec support (H.264 Baseline/Main Profile/High Profile/MJPEG)
- Multi-language Support
- Motion Detection
- Privacy Masks
- 3D Motion Compensated Noise Reduction (MCTF)
- Day/Night (ICR)
- IR LED Module (working distance up to 15 m)
- 64 GB microSD (SDHC/SDXC) Card Support
- Integrated Mounting Bracket with Cable Management
- ONVIF Profile S/G Support

Technical Specifications: BulletCamera MOBOTIX MOVE BC-2-IR

BulletCamera MOBOTIX MOVE BC-2-IR		
MOBOTIX Order Number		Mx-BC1A-2-IR
Image Sensor		1/3" Progressive CMOS
Effective Pixels		1920(H) x 1080 (V)
Minimum Illumination	Color	0.1 lux
	B/W	0.01 lux
Shutter Speed		1-1/10000 sec.
S/N ratio		> 50 dB
Lens		
Lens		Manual Vari-Focal Lens
Focal Length		2.8-12 mm
F Number		F1.4
FOV		91.61 °(Wide); 34.3 ° (Tele)
Operation		
Multiple Languages		English/French/German/Italian/Japanese/Korean/Portuguese/Russian/Simplified Chinese/Spanish/Traditional Chinese
Image	Iris Control	Fixed Iris
	Backlight Compensation	On/Off
	White Balance	Auto/Manual/ATW/One Push
	Noise Reduction	3DNR/2DNR/ColorNR
	Wide Dynamic Range	Shutter WDR On/Off (120 dB)
	Privacy Mask	On/Off
	Privacy Mask Type	Black
	Brightness	Manual
	Exposure	Auto/Manual
	Sharpness	Manual
	Contrast	Manual
	Saturation	Manual
	Hue	Manual
	Digital Zoom	Support
	ICR	Auto/Smart/Day/Night
ICR + IR LED	Auto/LED On/LED Off/Smart IR/Light Sensor/Day/Night	
Event Setting	Motion Detection	By Schedule/On/Off
	Tampering Alarm	By Schedule/On/Off



Network		
Interface		RJ45, 10/100 Mbps Ethernet
Video Compression		H.264/MJPEG
Video Streaming	Dual Streams	2M @ 25/30 fps + SVGA @ 25/30 fps 1080p @ 25/30 fps + D1 @ 25/30 fps H.264 1080p @25/30 fps + H.264 SVGA @15 fps + H.264 CIF @15 fps + H.264 CIF @15 fps
Video Resolution	H.264	Full HD 1080P/SXGA/HD 720P/XGA/SVGA/D1/VGA/ CIF
	MJPEG	Full HD 1080P/SXGA/HD 720P/XGA/SVGA/D1/VGA/ CIF
Protocol		ARP, IPv4/v6, TCP/IP, UDP, RTP, RTSP, HTTP, HTTPS, ICMP, FTP, SMTP, DHCP, PPPoE, UPnP, IGMP, SNMP, QoS, ONVIF
Security		HTTPS/IP Filter/IEEE 802.1X
Event Notification		HTTP/FTP/SMTP
SD Card		64 GB microSD (SDHC/SDXC) card support
Supported Web Browser		Internet Explorer (7.0+)/Firefox/Safari
User Account		20
Password Levels		User and Administrator
Mechanical		
Built-in IR Illuminator	Working Distance	Up to 15 m
	Wavelength	850 nm
	Number of LEDs	5
LED Indicator		Power/Link/ACT
Connectors	Type	Outdoor
	Ethernet	RJ45
General		
Start-Up Temperature		-20 °C-60 °C (-4 °F-140 °F)
Operating Temperature		-30 °C-60 °C (-22 °F-140 °F)
Humidity		10 %-90 %, no condensation
Protection Class		IP66
Dimension		Outdoor w/cable management: ø 71.5 x 150.53 x 91.15 mm (ø 2.815 x 5.92 x 3.58 in.)
Weight		330 g
Power Source		PoE
Power Consumption		POE: 5.6 W
Regulatory		CE/FCC
Approvals		EN 50130-4; IEC61000-4-2, IEC61000-4-3, IEC61000-4-4, IEC61000-4-5, IEC61000-4-6 IP66



Unit: mm

