



VK2L-4MPTIR28 / VK2-4MPTIR28V12M

Quick Guide

Please read this manual thoroughly before use and keep it handy for future reference.

Before You Begin

Read these instructions before installing or operating this product.

Note: This installation should be made by a qualified service person and should conform to local codes.

This manual provides installation and operation information. To use this document, you must have the following minimum qualifications:

- A basic knowledge of CCTV systems and components
- A basic knowledge of electrical wiring and low-voltage electrical connections

Intended use

Only use this product for its designated purpose; refer to the product specification and user documentation.

Customer Support

For assistance in installing, operating, maintaining and troubleshooting this product refer to this document and any other documentation provided. If you still have questions, please contact Norbain Technical Support and Sales:

**Norbain SD, Inspired, Easthampstead Road, Bracknell , Berkshire RG12 1YQ.
UK +44 (0) 118 912 5000**

Note: You should be at the equipment and ready with details before calling Technical Support.

Conventions Used in this Manual

Boldface or button icons highlight command entries. The following **WARNING**, **CAUTION** and **Note** statements identify potential hazards that can occur if the equipment is not handled properly:



*** WARNING:**

Improper use of this equipment can cause severe bodily injury or equipment damage.



**** Caution:**

Improper use of this equipment can cause equipment damage.

Note: Notes contain important information about a product or procedure.



This apparatus is manufactured to comply with the radio interference.

A Declaration of Conformity in accordance with the following EU standards has been made. The manufacturer declares that the product supplied with this document is compliant the provisions of the EMC Directive 2004/108/EC, the CE Marking Directive 93/68 EEC and all associated amendments.

**RoHS
COMPLIANT**

All lead-free products offered by the company comply with the requirements of the European law on the Restriction of Hazardous Substances (RoHS) directive: 2011/65/EU, which means our manufacture processes and products are strictly "lead-free" and without the hazardous substances cited in the directive.



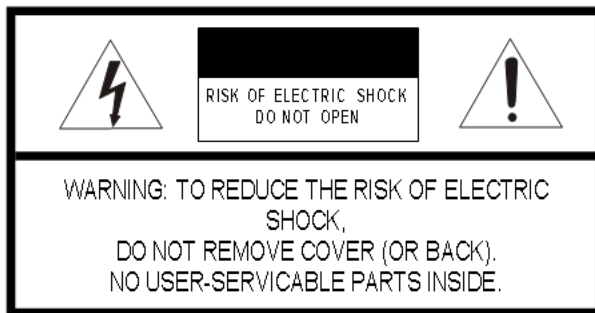
The crossed-out wheeled bin mark symbolizes that within the European Union the product must be collected separately at the product end-of-life. This applies to your product and any peripherals marked with this symbol. Do not dispose of these products as unsorted municipal waste.

NORBAIN SD reserves the right to make changes to the product and specification of the product from time to

time without prior notice.

WARNINGS AND CAUTIONS:

To reduce the risk of fire or electric shock, do not insert any metallic objects through the ventilation grills or other openings on the equipment.



IMPORTANT SAFEGUARDS

1. Read these instructions.
2. Keep these instructions.
3. Heed all warnings.
4. Follow all instructions.
5. Do not use this apparatus near water.
6. Clean only with dry cloth.
7. Do not block any ventilation openings. Install in accordance with the manufacturer's instructions.
8. Do not install near any heat sources such as radiators, heat registers, stoves, or other apparatus (including amplifiers) that product heat.
9. Do not defeat the safety purpose of the polarized or grounding-type plug. A polarized plug has two blades with one wider than the other. A grounding type plug has two blades and a third grounding prong. The wide blade or the third prong is provided for your safety. If the provided plug does not fit into your outlet, consult an electrician for replacement of the obsolete outlet.
10. Protect the power cord from being walked on or pinched particularly at plugs, convenience receptacles, and the point where they exit from the apparatus.
11. Only use attachments/accessories specified by the manufacturer.
12. Unplug this apparatus during lightning storms or when unused for long periods of time.
13. Refer all servicing to qualified service personnel. Servicing is required when the apparatus has been damaged in any way, such as power-supply cord or plug is damaged, liquid has been spilled or objects have fallen into the apparatus, the apparatus has been exposed to rain or moisture, does not operate normally, or has been dropped.
14. CAUTION - THESE SERVICING INSTRUCTIONS ARE FOR USE BY QUALIFIED SERVICE PERSONNEL ONLY. TO REDUCE THE RISK OF ELECTRIC SHOCK DO NOT PERFORM ANY SERVICING OTHER THAN THAT CONTAINED IN THE OPERATING INSTRUCTIONS UNLESS YOU ARE QUALIFIED TO DO SO.
15. IEC60950-1/UL60950-1 or Certified/Listed Class 2 power source only.

1. Introduction

The VK2L-4MPTIR28 and VK2-4MPTIR28V12M Turrets are highly featured CCTV cameras offering the installer and user the following:

1. H265 / H264 Compression
2. IR Illumination
3. Hi-Stream bandwidth / storage optimizer function
4. 4MP resolution options
5. Motorized lens (VK2-4MPTIR28V12M only)

1.1 Components

This system comes with the following components;

| | |
|-----------------------|---|
| Network Camera | 1 |
| Installation Guide/CD | 1 |
| Accessory Kit | 1 |

Note 1. Check your package to make sure that you received the complete system, including all components listed above.

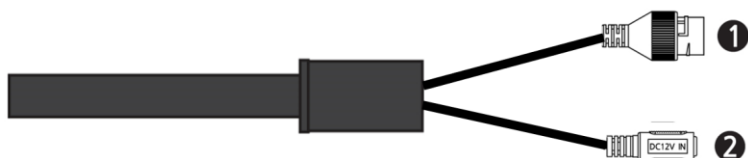
Note 2. Adapter for DC 12V is not supplied.

2. Installation

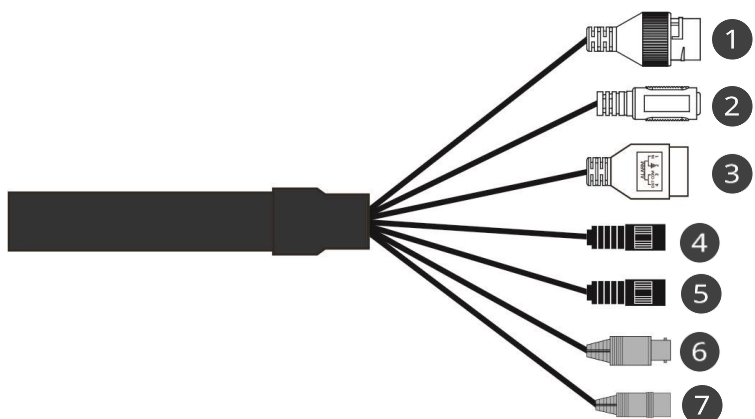
For the operation of the network camera, it is necessary to connect a network cable for data transmission, power connection from power adapter. Depending on operation methods, it is possible to connect an alarm cable additionally. For its fixation on different locations, please consult with an installer.

1.1 Overview

- **Extension Cable**



VK2L-4MPTIR28



VK2-4MPTIR28V12M

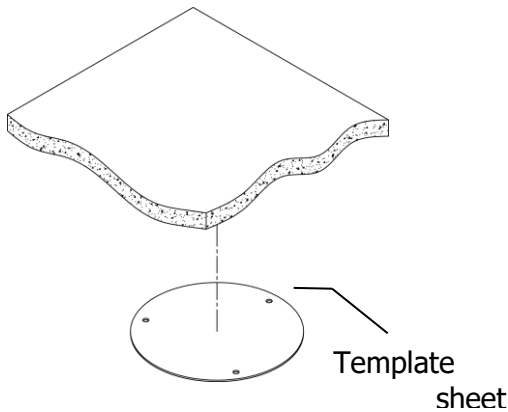
| NO | Item | Description |
|----|---|--|
| 1 | RJ-45 | Ethernet, RJ-45 port compatible with 10/100Mbps PoE Modular Jack |
| 2 | DC Jack | Main Power, DC Jack, DC12V |
| 3 | 1) Alarm In 2) GND 3) COM 4) Alarm Out | Alarm input and output, 4pin terminal |
| 4 | RCA (Red) | Audio line input |
| 5 | RCA (White) | Audio line output |
| 6 | BNC | Spot Video output |
| 7 | Reset | Hardware factory reset |

- **Installing Camera**

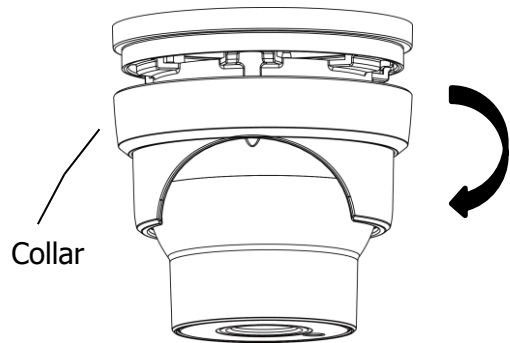
To mount the turret camera, fix the base of the camera with the three screws provided in the accessory kit.

- **Fixed Turret Camera**

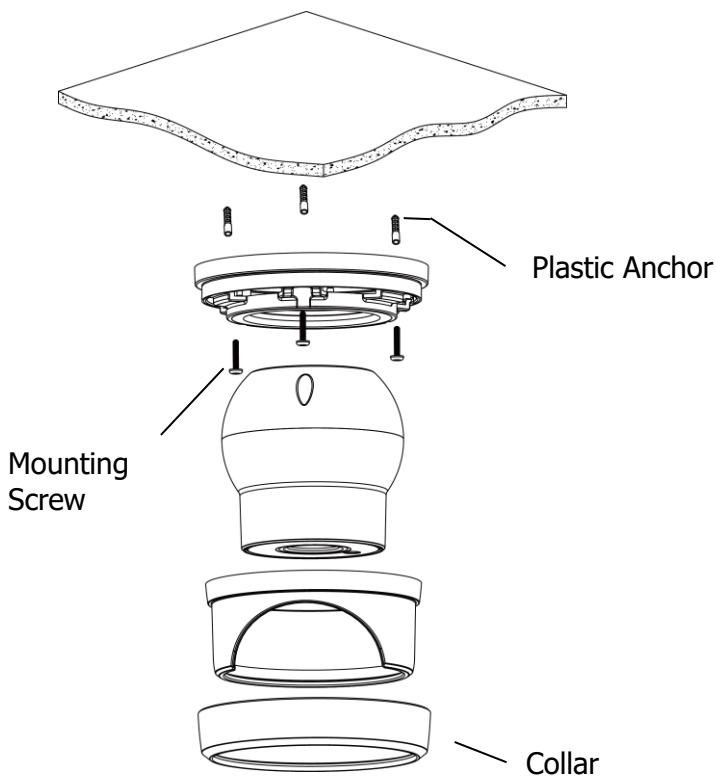
1) Paste the template sheet in place at the proper position.



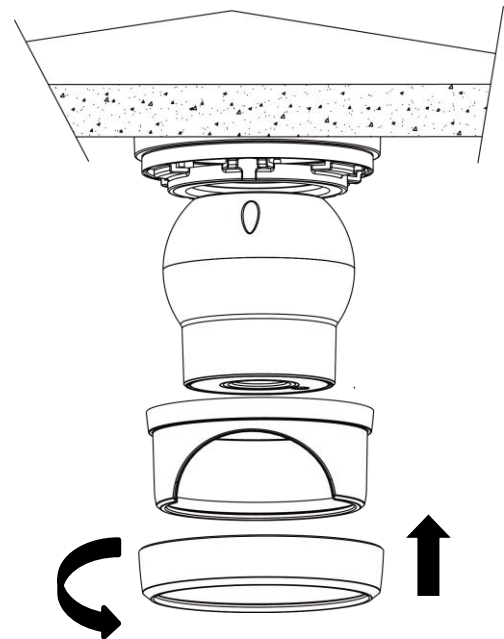
2) Remove the collar off the camera by rotating it down.



3) Fix the base of the camera with the three screws provided in the accessory kit.

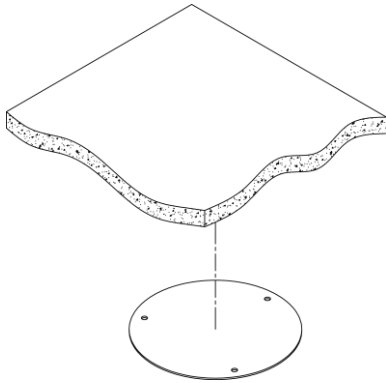


4) Mount the collar back by rotating it up.

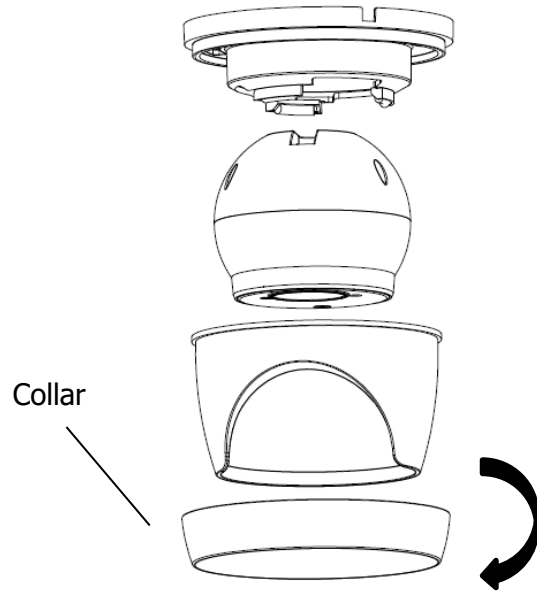


- **MVF Turret Camera**

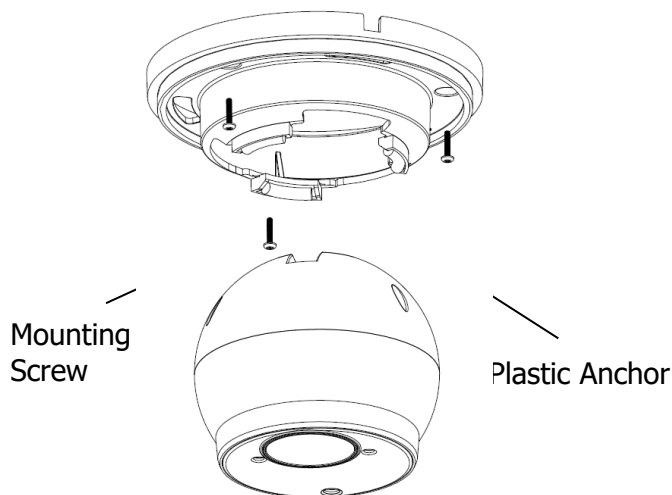
1) Paste the template sheet in place at the proper position.



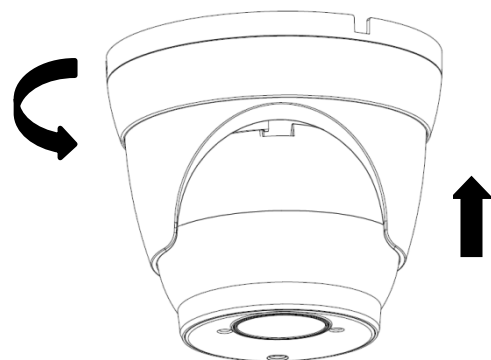
2) Remove the collar off the camera by rotating it down.



3) Fix the base of the camera with the three screws provided in the accessory kit



4) Mount the collar back by rotating it up



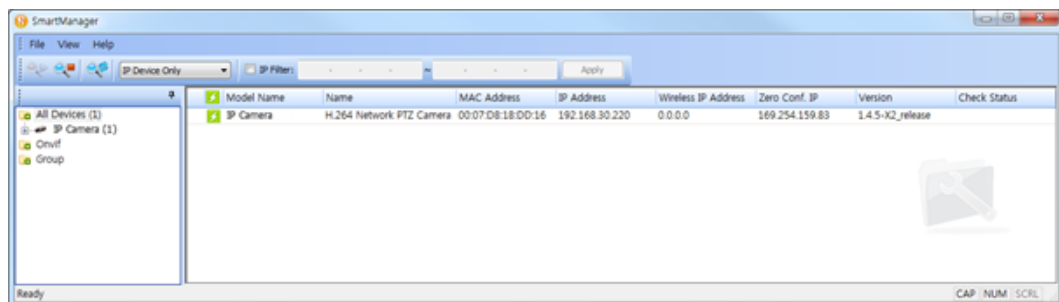
2

2.1 Network Connection & IP assignment

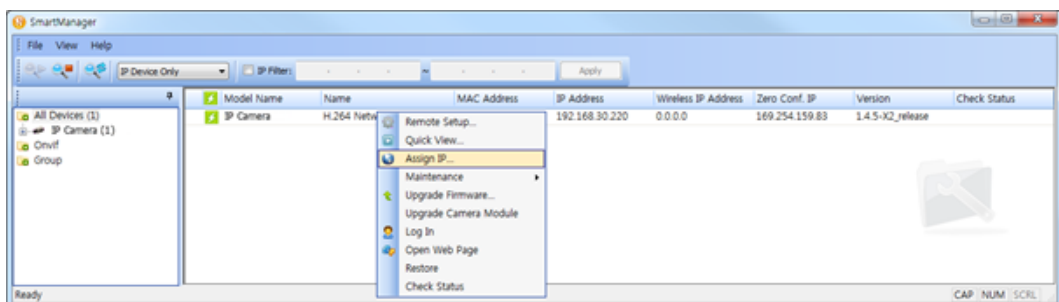
The camera supports the operation through the network. When a camera is first connected to the network, it is necessary to allocate an IP address to the device with the “SmartManager” utility on the CD. (Default IP 192.168.30.220)

1) Connect the network camera/device to the network and power up.

2) Start SmartManager utility (Start > All programs > SmartManager > SmartManager). The main window will display, and after a short while any network devices connected to the network will be displayed in the list.



3) Select the camera on the list and click right button of the mouse. You can see the pop-up menu as below.



4) Select Assign IP Address. The Assign IP window will display. Enter the required IP address.



NOTE: For more information, refer to the SmartManager User Manual.