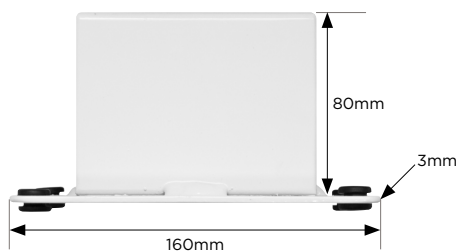
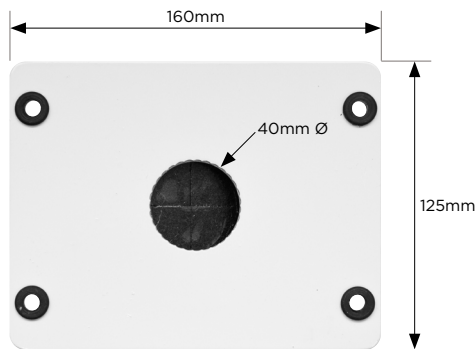
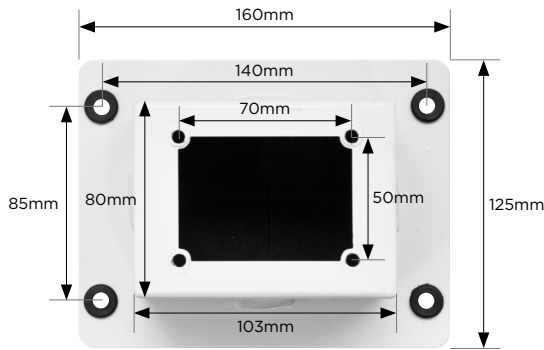


VDM-WMJB

EXTERNAL WALL MOUNT BACKBOX FOR DOME CAMERAS



MODELS IN THIS RANGE

0366930 VDM-WMJB

OPTIONS FOR USE WITH BRACKET

0366950* VDM-WMVRD
Wall bracket for VRD range

0366940* VDM-WMVP
Wall bracket 1.5" for VDM-WMJB

0718920 VDM-ECMAW
Corner adaptor, Vista white

0718930 VDM-EPMAW
Pole adaptor, Vista white

COMPATIBLE CAMERAS

*Dependant on wall bracket

TECHNICAL SPECIFICATION

Model	VDM-WMJB
Construction	Mild steel
Base plate or Wall mount plate	Proprietary wall mount plate
Camera base	Dependant on wall bracket chosen*
Environment	99mm (H) x 76mm(W) x 76mm (D)
Finish	External use
Colour	Powder coat
Weight (net)	White
Weight (gross)	1.10kg



TEL
+44 (0) 118 912 5000

