



WIP4BV5 Series

WISH IP H.265 4MP Varifocal IR Bullet Camera

The WIP4BV5 Series are 4MP H.265 True Day/Night, IP IR Bullet Cameras with a 2.8-12mm Varifocal Lens. With an effective IR Range of 30m in ideal conditions. Available in White or Gun Metal Grey. DC12V/ PoE Operation.

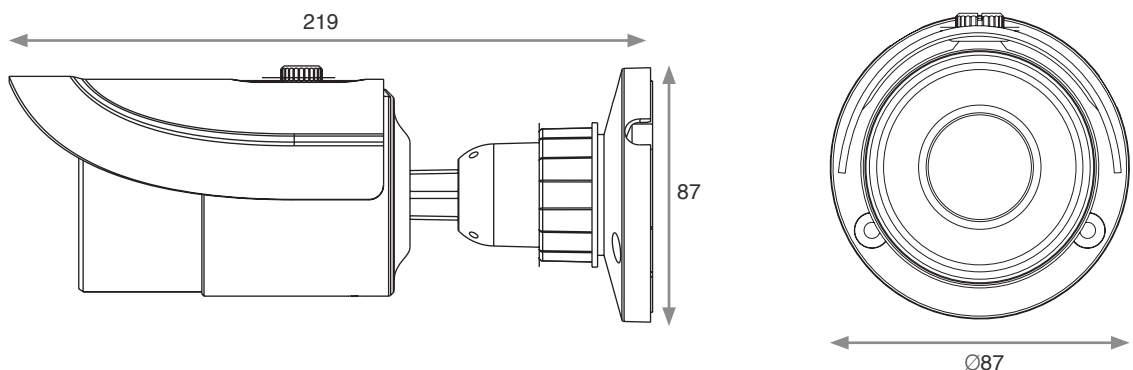


WIP4BV5/G

Key Features

- 4MP Resolution
- H.265 Video Compression
- Up to 30m IR Distance (In Ideal Conditions)
- 2.8 - 12mm Megapixel Lens
- 3D DNR
- Digital WDR
- CVBS Local Video
- True Day / Night
- MIC / Line in G.711A / U Audio Codec
- One Way Audio
- IP and MAC Address Filtering
- Configuration Backup
- Supports Analytics software when connected with H.265 WISH IP Network Recorder*
- Alarm Image Size Dependent on Set Stream Resolution
- RTSP Streaming with or without Authentication
- Mirror & Flip Image
- Multiple Privacy Masking
- Remote Monitoring
- Supports Smart Phones & Tablets
- Available in White or Grey

Dimensions (mm)



*Analytics Software is supported by cameras purchased after 1st July 2017



Technical Specification

Model Number	WIP4BV5	WIP4BV5G
Image Sensor	1/2.7" CMOS	
Image Pixels	2688 x 1520	
Electronic Shutter	1/25s ~ 1/100,000s	
Minimum Illumination	0 Lux (IR LED On)	
Lens	2.8 ~ 12mm	
Digital WDR	Yes	
3D DNR	Yes	
Video Compression	H.265 / H.264 / MJPEG	
Resolution	4MP (2560 x 1440), 3MP (2048 x 1536), 1080P (1920 x 1080), 720P (1280 x 720), D1, CIF 480 x 240	
Frame Rate	4MP (1~30fps) / 3MP (1~30fps) / 1920 x 1080 (1~30fps) 1280 x 720 (1~10fps) / D1 (1~30fps) / CIF (1~30fps) CIF (1~30fps) / 480 x 240 (1~30fps)	
Bit Rate	64Kbps ~ 10Mbps	
Encode Mode	VBR / CBR	
Quality	Five Levels Under VBR, Freely Adjustable Under CBR	
Image Settings	Saturation, Brightness, Contrast, etc Adjustable through Client Software or Web Browser	
Audio Compression	G711A	
Network Interface	RJ45	
Audio Interface	One Way Audio (MIC In x1)	
Video Output Interface	BNC x1	
Remote Monitoring	IE Browsing, CMS Remote Control	
Online Connection	Support Simultaneous Monitoring for up to 4 Users Support Multi-Stream Real Time Transmission	
Protocol	TCP/IP, UDP, DHCP, NTP, RTSP, PPPoE, DDNS, SMTP, FTP	
Storage	Network Remote Storage	
Smart Alarm	Motion Alarm	
Day & Night	ICR	
IR Distance	Up to 30m (In Ideal Conditions)	
IP Rating	IP66	
Power Supply	DC12V / PoE	
Power Consumption	<2.5W (IR Off) <6W (IR On)	
Operating Conditions	Temperature: -20°C ~ 50°C Humidity: 10% ~ 90%	
Dimensions (Ø x L)	Ø87 x 219 mm	
Weight	609g	

Genie CCTV reserves the right to change specifications without notice. Please contact your representative to confirm current specifications.

Accessories

- **WIPMPJB** - Multi-Platform Junction Box for WISH IP Range, White
- **WIPMPJBG** - Multi-Platform Junction Box for WISH IP Range, Grey
- **WIPSJB** - Small Junction Box for WISH IP Bullet Cameras, White
- **PSU1SM** - In-Line DC12V 1A Output, Regulated Switch Mode PSU, with Fixing Mount
- **GAIPLEAD** - IP Audio Lead



WIP4BV5 with WIPSJB

