



HD ONVIF | S G Q

H4W2GR1V H4L2GR1V H4W4GR1V

Network TDN Low-Light WDR 2MP/4MP IR Rugged Dome

OPERATIONAL		
VIDEO STANDARD	NTSC/PAL	
SCANNING SYSTEM	Progressive scan	
IMAGE SENSOR	H4W2GR1V, H4L2GR1V: 1/2.8" 2 Megapixel progressive scan CMOS H4W4GR1V: 1/3" 4 Megapixel progressive scan CMOS	
NUMBER OF PIXELS (H×V)	H4W2GR1V, H4L2GR1V: 2MP - 1920x1080 H4W4GR1V: 4MP - 2560x1440/2688x1520	
MINIMUM ILLUMINATION	H4W2GR1V, H4L2GR1V: Color : 0.001Lux @f/1.6, B/W : 0Lux @f/1.6(IR on) H4W4GR1V: Color : 0.01Lux @f/1.6, B/W : 0Lux @f/1.6(IR on)	
S/N RATIO	50 db minimum	
ELECTRONIC SHUTTER SPEED	Auto/Manual, 1/3~1/100000s	
IR DISTANCE	50m	
DAY/NIGHT	Mechanical ICR (ON / OFF / AUTO selectable)	
BACKLIGHT COMPENSATION	BLC/HLC/WDR/SAC(Scene Adaptive Control)	
WIDE DYNAMIC RANGE(WDR)	H4L2GR1V: 140 dB (50/60fps off) H4W4GR1V, H4W2GR1V: 120 dB (50/60fps off)	
WHITE BALANCE	Auto/Natural/Street Lamp/Outdoor/Manual Customize Region	
GAIN CONTROL	Auto/Manual	
NOISE REDUCTION	3D Noise Reduction (ON / OFF selectable)	
PRIVACY MASKING	Up to 4 configurable areas	
ELECTRONIC IMAGE STABILIZATION	H4W2GR1V, H4W4GR1V: Not supported H4L2GR1V: Off/On	
DEFOG	Auto/Manual/Off	
LENS	H4W2GR1V, H4W4GR1V: 2.7-13.5 mm MFZ, DC IRIS, optical zoom 5x lens F1.6 H4L2GR1V: 2.7-12 mm MFZ, HALL IRIS(Extended Focal Depth), optical zoom 4x lens F1.6	
ANGLE OF VIEW	H4W2GR1V: FOV depending on different resolution, H: 110° - 32°, V: 59° - 19° H4L2GR1V: FOV depending on different resolution H: 102° - 35°, V: 54° - 21° H4W4GR1V: FOV depending on different resolution H: 110° - 30°, V: 53° - 18°	
AUDIO/TWO-WAY	Line In/Out	
ALARM INPUT/OUTPUT	2 In/1 Out	
ANALOG OUTPUT SUPPORT	Supported	
ETHERNET	H4W2GR1V, H4W4GR1V: RJ-45 (10/100Base-T) H4L2GR1V: RJ-45 (100/1000Base-T)	
IP SPECIFICATIONS		
VIDEO COMPRESSION	H.265+, H.265, H.264 and MJPEG bit rate control (CBR and VBR)	
RESOLUTION	16:9	H4W2GR1V, H4L2GR1V: 1080p (1920×1080)/720p (1280×720) H4W4GR1V: 3M (2304×1296)/1080p (1920×1080)/720p (1280×720)
	4:3	1.3M (1280×960)/VGA (640×480)
	OTHER	H4W2GR1V, H4L2GR1V: D1 (704×576/704×480)/CIF (352×288/352×240) H4W4GR1V: 4M (2688×1520)/(2560×1440), /D1 (704×576/704×480)/CIF (352×288/352×240)

IP SPECIFICATIONS		
FRAME RATE	MAIN STREAM	H4W2GR1V, H4L2GR1V: 1080P (1~50/60fps WDR off) H4W4GR1V: 4M (1~25/30fps)
	SUB STREAM	H4W2GR1V, H4L2GR1V: D1 (1~50/60fps WDR off) H4W4GR1V: D1 (1~25/30fps)
	THIRD STREAM	H4W2GR1V: 1080P (1-25/30fps) H4L2GR1V: 1080P(1-50/60fps WDR off) H4W4GR1V: 4M(1~25/30fps)
AUDIO COMPRESSION	G.711a/ G.711Mu/ AAC/G.726	
	Full duplex, simplex	
	SUPPORTED WEB BROWSERS	
SUPPORTED OS		Windows® 7 32-bit/64-bit; Windows® 10 32-bit/64-bit
SUPPORTED PROTOCOLS*		HTTP; HTTPS; TCP; ARP; RTSP; RTP; UDP; SMTP; FTP; DHCP; DNS; DDNS; PPPOE; IPv4/v6; QoS; UPnP; NTP; Bonjour; 802.1x; Multicast; ICMP; SNMP
COMPATIBILITY		ONVIF Profile S, G and Q
MAXIMUM USERS ACCESS		20 users
SECURITY		User account and password protection HTTPS, IP Filter, IEEE 802.1x, Digest authentication, User access log, TLS1.2, AES-256, SSH/Telnet closed, FTP disabled, PCI-DSS compliance, Hardware chipset for private key
HEAT MAP		H4L2GR1V: Support
BUILT-IN ALARM & EVENT	EVENT TYPE	H4W2GR1V, H4W4GR1V: Motion Detection/Video Tampering/Face Detection/SD Card Error/SD Card Capacity Warning/Audio Detection/ Object Abandoned/Object Missing/Tripwire/Intrusion H4L2GR1V: Motion Detection/Video Tampering/Face Detection/SD Card Error/SD Card Capacity Warning/Audio Detection/Object Abandoned/Object Missing/People counting
	EVENT LINKAGE	Recording on SD card, Relay output, Email, Snapshot
	EVENT OUTPUT	ONVIF, ISOM
UPLOADABLE VIDEO ANALYTICS (H4L2GR1V ONLY)	BASIC	Trigger line/Intrusion/Loitering available now (Please download from www.honeywellvideo.com. Free of Charge, but please email to VALicensing@Honeywell.com to get license.)
	ADVANCED LICENSED ANALYTICS	IntrusionTrace/LoiterTrace for advanced applications coming soon. (Need to purchase separately)
	ANALYTICS OUTPUT	ISOM event output, Metadata
MICRO SD		Micro SDHC Capacity Max 32GB Micro SDXC Capacity Max 128GB

MICRO SD FUNCTION	<ul style="list-style-type: none"> • Event trigger recording • Continuous and scheduled recording • Automatic recording when network fails
LANGUAGES SUPPORTED	English, Arabic, Czech, Dutch, French, German, Italian, Japanese, Korean, Polish, Portuguese, Russian, Simplified Chinese, Spanish, Turkish
ELECTRICAL	
POWER SUPPLY	PoE+(802.3at) Class 4/12VDC/24VAC
LONG DISTANCE POE SUPPORT	3X POE (300m @100Mbps)
AC FREQUENCY	50/60 Hz
POWER CONSUMPTION	H4W2GR1V: Max 22W H4L2GR1V: Max 20.5W H4W4GR1V: Max 15W
AUXILIARY POWER SUPPLY	2.0W, DC12V (+/-5%)
MECHANICAL	
DIMENSIONS	6.2" x 4.6" (159.0 x 118.0 mm)
WEIGHT	H4W2GR1V: Product weight: 2.46lb (1117g) Package Weight: 4.40lb (1994g) H4L2GR1V: Product weight: 2.49lb (1130g) Package Weight: 4.42lb (2007g) H4W4GR1V: Product weight: 2.47lb (1119g) Package Weight: 4.40lb (1997g)
CONSTRUCTION	Die-cast aluminum housing with powder coat
CONSTRUCTION COLOUR	RAL 9003 (White)


ENVIRONMENTAL	
OPERATING TEMPERATURE	-40°F to 140°F (-40°C to 60°C)
RELATIVE HUMIDITY	0% to 95%, non-condensing
GORE VENTS	Yes
INGRESS PROTECTION	IP 67
IMPACT RESISTANCE	IK10
HEATER, FAN OPTION	Heater, Fan
REGULATORY	
EMISSIONS	FCC Part 15, CE (EN 55032); Complies with RCM (AS/NZS)
IMMUNITY	CE (EN 50130-4)
SAFETY	North America UL Listed to UL/CSA 60950-1, CE (EN 60950-1); North America UL Listed to UL/CSA 60950-22, CE (EN 60950-22)
ROHS	EN50581

* Some development may be required in specific user cases to support some of these protocols in the field as they mature over time.

** ADPRO® IntrusionTrace™ and ADPRO® LoiterTrace™ are Xtralis® video content analytics products. Additional license purchase(s) required. See <http://www.xtralis.com/analytics> for more information.

Network TDN Low-Light WDR 2MP/4MP IR Rugged Dome

RECOMMENDED ACCESSORIES

SYSTEM INTEGRATION	
<p>ONVIF support and open API software integration. Refer to www.onvif.org for the ONVIF specification and the Honeywell Open Technology Alliance website (http://www.security.honeywell.com/hota/) to learn more about our open and integrated solutions.</p>	

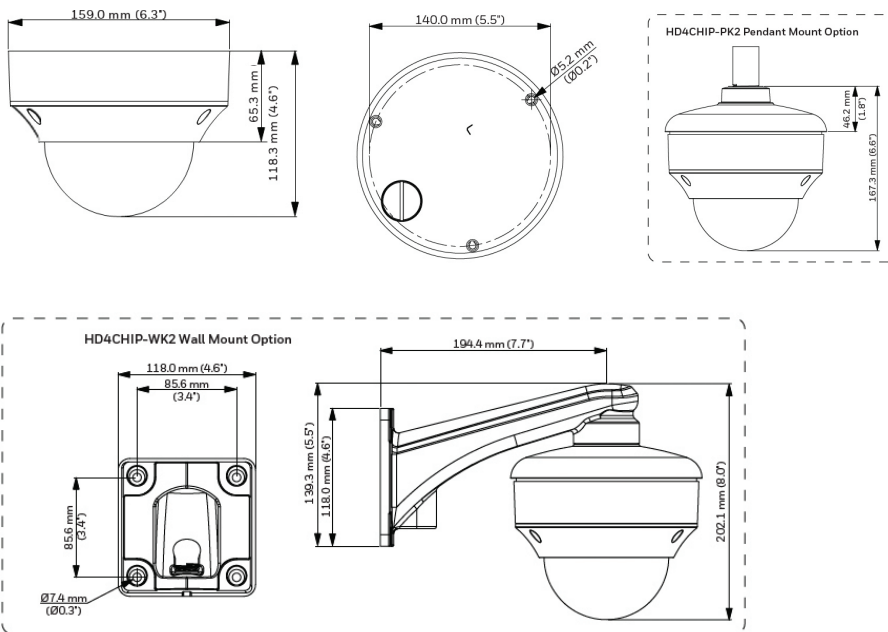
HOUSING AND MOUNTS		
HB4G-PM		Pole Mount Adapter
HB34G-CM		Corner Mount Adapter
HD4CHIP-PK2		Pendant Mount Adapter, NPT
H4G-PK		Pendant Mount Adapter, G1.5
HD4CHIP-WK2		Wall Mount Bracket
H4G-CB		Replacement Dome (Clear)
H4G-SB		Replacement Dome (Smoke)
HPOE3X		3X Long Distance POE Switch
HLR1001		IP over Coax Converter

Network TDN Low-Light WDR 2MP/4MP IR Rugged Dome

ORDERING

H4W2GR1V	Network TDN Low Light WDR IR Outdoor Dome Camera, 1/2.8" 2 Megapixel progressive scan CMOS, 2.7-13.5 mm MFZ, 4 IR LEDs, PoE+, H.265.
H4L2GR1V	Network TDN Intelligent Ultra WDR IR Outdoor Dome Camera, 1/2.8" 2 Megapixel progressive scan CMOS, 2.7-12 mm MFZ, 4 IR LEDs, PoE+, H.265.
H4W4GR1V	Network TDN WDR IR Outdoor Dome Camera, 1/3" 4 Megapixel progressive scan CMOS, 2.7-13.5 mm MFZ, 4 IR LEDs, PoE+, H.265

DIMENSIONS*



For more information

www.honeywellvideo.com

Honeywell Security and Fire

2700 Blankenbaker Pkwy, Suite 150
 Louisville, KY 40299 1.800.323.4576
www.honeywell.com

ONVIF and the ONVIF logo are trademarks of ONVIF Inc. Honeywell reserves the right, without notification, to make changes in product design or specifications.

HSV- H4xxGRxV-01-US(0618)DS-Y
 © 2018 Honeywell International Inc.

Honeywell

H4L2GR1/H4W2GR1/ H4W2GR2/H4W4GR1

Outdoor WDR IR Rugged IP Cameras

Honeywell is taking quality and reliability to the next level with the New equiP® line of rugged IP cameras. The Honeywell outdoor TDN ultra low-light IR minidome cameras offer outstanding picture clarity, hassle-free flexible system integration, and secure data transmission—and they look great too!

Superior Image Quality

- Full HD 1080p 25/30 fps image with a 1/2.7" or 1/2.8" 2 megapixel sensor, or full HD 4 MP 20 fps image with a 1/3" 4 megapixel sensor
- True WDR up to 140 dB ensures glare-free images
- True Day/Night provides vivid color images by day and clear black-and-white images at night with ICR
- Excellent low-light performance with 3D noise reduction, saving storage and bandwidth together with H.264 High Profile codec
- Ultra Low Light technology is able to capture high quality color images in low light environments

Flexible Surveillance Solution

- 2.7–12 mm or 7–22 mm, F1.4, motorized focus/zoom lens
- H.264 and MJPEG codec, triple stream support
- IR LEDs provide up to 150 ft (50 m) of illumination in dimly lit or nighttime scenes (depending on scene reflectance)
- Smart IR technology provides even distribution of IR
- Waterproof (IP67) and IK10 vandal resistant camera housing
- –40°F to 140°F (–40°C to 60°C) working temperature
- ONVIF Profile S and G compliant
- Security features include individual signed certificates and data encryption
- Cameras can be retrofitted on many existing DVR/NVR installations without requiring additional storage



Easy to Install and Use

- Built-in PoE (Power over Ethernet) eliminates separate power supply and associated wiring; 24 V AC/12 V DC inputs where PoE power is unavailable
- Remote configuration, motorized zoom adjustments and auto focus through web client or from the NVR
- Included accessories: security screw driver, 4S mount adapter, rubber gasket, and conduit adapter (varies by region)

Onboard Video Storage

- Supports up to 128 GB microSDHC (Class 10) card for local video storage when network is interrupted. Card not included.

FEATURES AND BENEFITS

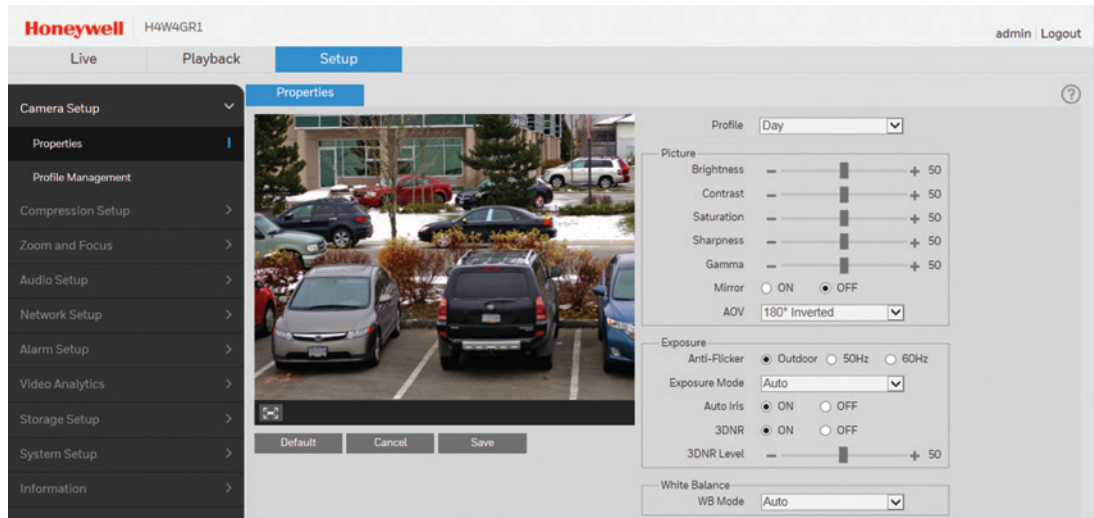
These fully featured attractive cameras are perfect for outdoor installations that require excellent picture quality at minimal bandwidth while offering maximum protection against dust, dirt, and water. Boasting a sleek modern design and offering two different lens options, the cameras are suited for a wide range of applications.

- 1/2.7" or 1/2.8" 2 megapixel progressive scan imager or 1/3" 4 MP progressive scan imager
- Ultra-low light performance
- 150 ft (50 m) IR distance, depending on scene reflectance
- True WDR: up to 140 dB
- Excellent low light performance with down to 0 lux BW (with IR LEDs on)
- Up to triple stream support
- 1080p resolution at 25/30 fps or 4 MP at 20 fps
- 2.7-12 mm or 7-22 mm, F1.4, motorized focus and zoom lens
- Rugged outdoor housing with IP67 ingress protection rating and IK10 vandal resistance rating
- Corridor mode viewing capability
- On board camera storage: up to 128 GB micro SD card (not included)
- ONVIF profile S and G compliant

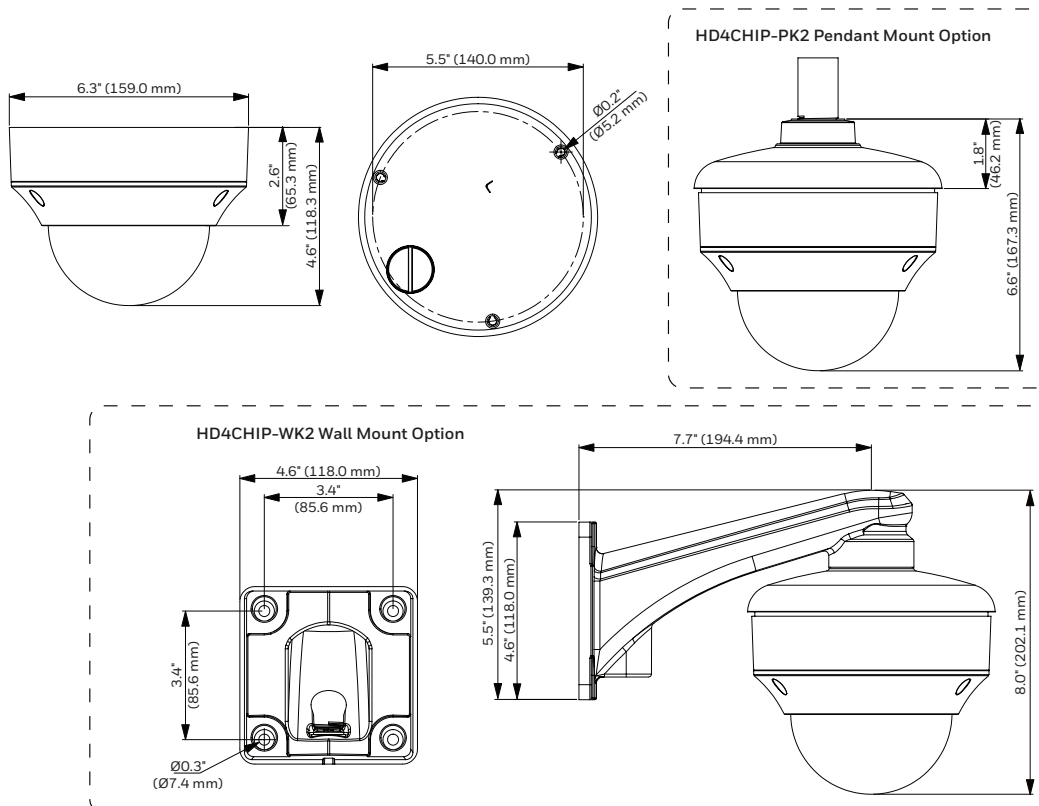
H4L2GR1/H4W2GR1/H4W2GR2/H4W4GR1

Outdoor WDR IR Rugged IP Cameras

The camera can be configured to automatically detect and respond to events such as motion in the scene, alarm inputs, network failure, and/or camera tampering. Automated responses include: sending a notification through email, FTP, and/or HTTP; sending a still image of the event through email and/or FTP; and recording a video clip of the event to a configured microSDHC card. Setup can be done through a web client or from an NVR.



DIMENSIONS



H4L2GR1/H4W2GR1/H4W2GR2/H4W4GR1

Outdoor WDR IR Rugged IP Cameras

SPECIFICATIONS

OPERATIONAL		IP SPECIFICATIONS	
Video Standard	NTSC/PAL	Sub Stream	H4W2GR1/H4W2GR2/H4L2GR1 (PAL): 1-25 fps (D1-704x576, CIF-352x288) H4W2GR1/H4W2GR2/H4L2GR1 (NTSC): 1-30 fps (D1-704x480, CIF-352x240) H4W4GR1 (PAL): 1-20 fps (D1-704x576, CIF-352x288) H4W4GR1 (NTSC): 1-20 fps (D1-704x480, CIF-352x240)
Scanning System	Progressive scan		
Image Sensor	H4L2GR1: 1/2.8" 2 MP progressive CMOS	Frame Rate	Triple Stream H4W2GR1/H4W2GR2 (PAL): 720p 1-14 fps, D1 (704x576) 1-25 fps, CIF (352x288) 1-25 fps H4W2GR1/H4W2GR2 (NTSC): 720p 1-3 fps, D1 (704x480) 1-9 fps, CIF (352x240) 1-30 fps H4W4GR1 (PAL): 1-20 fps (720p, D1-704x576, CIF-352x288) H4W4GR1 (NTSC): 1-20 fps (720p, D1-704x480, CIF-352x240) H4L2GR1 (PAL): 1080p 1-20 fps, 1-25 fps (720p, D1-704x576) H4L2GR1 (NTSC): 1080p 1-15 fps, 1-30 fps (720p, D1-704x480)
	H4W2GR1/H4W2GR2: 1/2.7" 2 MP progressive CMOS H4W4GR1: 1/3" 4 MP progressive CMOS		
Number of Pixels (HxV)	H4L2GR1/H4W2GR1/H4W2GR2: 1920 × 1080	Audio Compression	G.711a/G.711u/AAC
	H4W4GR1: 2560 × 1440	Audio Stream	Dual Channel
Minimum Illumination	H4L2GR1: 0.005 lux color/0 lux with IR LEDs on @ F1.4	Ethernet	RJ-45 (10/100Base-T)
	H4W2GR1/H4W2GR2/H4W4GR1: 0.01 lux color/0 lux with IR LEDs on @ F1.4	Protocols*	IPv4/IPv6, HTTP, HTTPS, TCP/IP, UDP, UPnP, ICMP, IGMP, RTSP, RTP, SMTP, NTP, DHCP, DNS, PPPOE, DDNS, FTP, QoS, SNMP v2c/v3, LDAP (Client), NFS, RTCP, Bonjour
S/N Ratio	50 dB or more	Compatibility	ONVIF Profile S/G
Electronic Shutter Speed	Auto, Manual, 1/3(4)–1/10 000 s	Max. User Access	20 users
IR Distance	Up to 150 ft (50 m), depending on scene reflectance	Languages Supported	English, Arabic, Czech, Dutch, French, German, Italian, Japanese, Korean, Polish, Portuguese, Russian, Simplified Chinese, Spanish, Turkish
Day/Night	Auto(ICR)/Color/BW		
Backlight Compensation	BLC/HLC	ELECTRICAL	
Wide Dynamic Range	H4L2GR1: 140 dB	Input Voltage	12VDC +/-10%, 24VAC +/-10%, PoE IEEE 802.3af
	H4W2GR1/H4W2GR2/H4W4GR1: 120 dB	AC Frequency	50/60 Hz
White Balance	Auto/Manual	Power Consumption	24VAC 12W max (zoom/focus/IRs/heater active), typical 10.5W PoE (802.3af) Class 0
Gain Control	Auto/Manual	MECHANICAL	
Noise Reduction	3DNR	Dimensions	6.2 × 4.6 in. (159.0 × 118.0 mm)
Privacy Masking	Up to 4 areas	Product Weight	2.3 lb (1.05 kg)
Corridor Mode	Yes	Package Weight	4.6 lb (2.1 kg)
Lens	H4L2GR1/H4W2GR1/H4W4GR1: 2.7–12 mm, MFZ, F1.4	Construction	Die-cast aluminum housing with powder coat
	H4W2GR2: 7–22 mm, MFZ, F1.4	Construction Color	RAL9003 (White)
	H4L2GR1: 97°–34°	Recording and Storage	Up to 128 GB microSDHC card Class 10 (not included)
Horizontal Angle of View	H4W2GR1/H4W4GR1: 99°–34°	ENVIRONMENTAL	
	H4W2GR2: 44°–16°	Temperature	–40°F to 140°F (–40°C to 60°C)
Audio/Two-Way	Line In/Out	Relative Humidity	10% to 100%, condensing
IP SPECIFICATIONS		Ingress Protection	IP67
Video Compression	H.264/H.264H/H.264B/MJPEG	Vandal Resistance	IK10
Resolution	H4L2GR1/H4W2GR1/H4W2GR2: 1080p (1920×1080)/SXGA (1280×1024)/1.3M (1280×960)/720p (1280×720)/D1 (704×576/704×480)/CIF (352×288/352×240)	REGULATORY	
	H4W4GR1: 4M (2688×1520 with Analog video output off, or 2560×1440 with Analog video output on)/3M (2304×1296)/1080p (1920×1080)/SXGA (1280×1024)/1.3M (1280×960)/720p (1280×720)/D1 (704×576/704×480)/CIF (352×288/352×240)	Emissions	FCC Part 15, CE (EN 55022); Complies with RCM (AS/NZS)
Frame Rate	Main Stream	Immunity	CE (EN 50130-4)
		Safety	North America UL Listed to UL/CSA 60950-1, CE (EN 60950-1) North America UL Listed to UL/CSA 60950-22, CE (EN 60950-22)

Notes:

* Some development may be required in specific user cases to support some of these protocols in the field as they mature over time.

H4L2GR1/H4W2GR1/H4W2GR2/H4W4GR1

Outdoor WDR IR Rugged IP Cameras

ORDERING

SYSTEM INTEGRATION

Open IP Integration

ONVIF support and open API software integration. Refer to www.onvif.org for the ONVIF specification and the Honeywell Open Technology Alliance website (<http://www.security.honeywell.com/hota/>) to learn more about our open and integrated solutions.



ACCESSORIES

Housings and Mounts

HB4G-PM	Pole Mount Bracket
HB34G-CM	Corner Mount Bracket
HD4CHIP-PK2	Pendant Mount Bracket
HD4CHIP-WK2	Wall Mount Bracket
H4G-CB	Replacement Dome (Clear)
H4G-SB	Replacement Dome (Smoke)

ORDERING

Cameras

H4L2GR1	Network TDN Ultra Low-Light, 140db Wide Dynamic, IR Rugged Dome Camera, 1/2.8" Imager, 2 MP, 2.7-12 mm MFZ Lens, 3 IR LEDs, PoE, H.264
H4W2GR1	Network TDN Low-Light, 120db Wide Dynamic, IR Rugged Dome Camera, 1/2.7" Imager, 2 MP, 2.7-12 mm MFZ Lens, 3 IR LEDs, PoE, H.264
H4W2GR2	Network TDN Low-Light, 120db Wide Dynamic, IR Rugged Dome Camera, 1/2.7" Imager, 2 MP, 7-22 mm MFZ Lens, 3 IR LEDs, PoE, H.264
H4W4GR1	Network TDN Low-Light, 120db Wide Dynamic, IR Rugged Dome Camera, 1/3" Imager, 4 MP, 2.7-12 mm MFZ Lens, 3 IR LEDs, PoE, H.264

For more information

www.honeywell.com/security

Honeywell Security and Fire

2700 Blankenbaker Pkwy, Suite 150
Louisville, KY 40299
1.800.323.4576
www.honeywell.com

Honeywell reserves the right, without notification, to make changes in product design or specifications.

L/H4OWDRCD/D | 06/16
© 2016 Honeywell International Inc.

Honeywell

12 MP (4K Ultra HD) Outdoor IR IP Minidome Cameras

H4D8GR1

Honeywell is taking quality and reliability to the next level with the new equiP® line of 4K Ultra HD IP cameras. The Honeywell outdoor TDN Ultra HD IR mini dome cameras offer incomparable picture clarity, hassle-free flexible system integration, and secure data transmission—and they install easily too!

Ultra HD 4K Image Quality

- Ultra HD 12 MP (4K) 20 fps image with a 1/1.7" 12 megapixel progressive scan CMOS or full HD 8 MP 25/30 fps image
- Digital WDR (DWDR) ensures glare-free images
- True Day/Night provides vivid color images by day and clear black-and-white images at night using a removable IR cut filter
- Excellent low-light performance with 3D noise reduction, saving storage and bandwidth together with H.265 Profile codec

Flexible Surveillance Solution

- 4.1–12.8 mm, F1.53, motorized focus/zoom lens
- H.265, H.264 and MJPEG codec, triple stream support
- IR LEDs provide up to 145 ft (45 m) of illumination in dimly lit or nighttime scenes (depending on scene reflectance)
- Smart IR technology provides even distribution of IR
- Waterproof (IP67) and IK10 impact-resistant camera housing
- –40°F to 140°F (–40°C to 60°C) working temperature
- ONVIF Profile S and G compliant
- Security features include individual signed certificates and data encryption
- Cameras can be retrofitted on many existing NVR installations without requiring additional storage

Onboard Video Storage

- Supports up to 128 GB microSDHC (Class 10) card for local video storage when network is interrupted. Card not included

FEATURES AND BENEFITS

- | | | | | |
|---|--|--|--|--|
| <ul style="list-style-type: none">• Ultra HD 4K/12 MP resolution at 20 fps or 8 MP at 25/30 fps• Up to triple stream support• 145 ft (45 m) IR distance, depending on scene reflectance | <ul style="list-style-type: none">• 1/1.7" 12 megapixel progressive scan CMOS imager• Excellent low light performance with down to 0 lux BW (with IR LEDs on)• Digital WDR | <ul style="list-style-type: none">• Choice of 24 VAC, 12 VDC or PoE+ (802.3at) power inputs• 4.1–12.8 mm, F1.53, motorized focus and zoom lens• Corridor mode viewing capability | <ul style="list-style-type: none">• Rugged outdoor housing with IP67 ingress protection rating and IK10 impact resistance rating• Onboard camera storage up to 128 GB microSD card (not included)• ONVIF profile S and G compliant | <ul style="list-style-type: none">• Built-in cyber security hardware chipset• Global language support with QIGs, Web GUI, and online help in 15 languages• Compliant with UL2900-1, certified by UL Cyber Assurance Program (UL CAP) |
|---|--|--|--|--|



Easy to Install and Use

- Built-in PoE+ (Power over Ethernet 802.3at) eliminates separate power supply and associated wiring; 24 VAC/12 VDC inputs where PoE power is unavailable
- Remote configuration, motorized zoom adjustments and auto focus through web client or from the NVR
- Included accessories: security screw driver, 4S mount adapter, rubber gasket, and conduit adapter

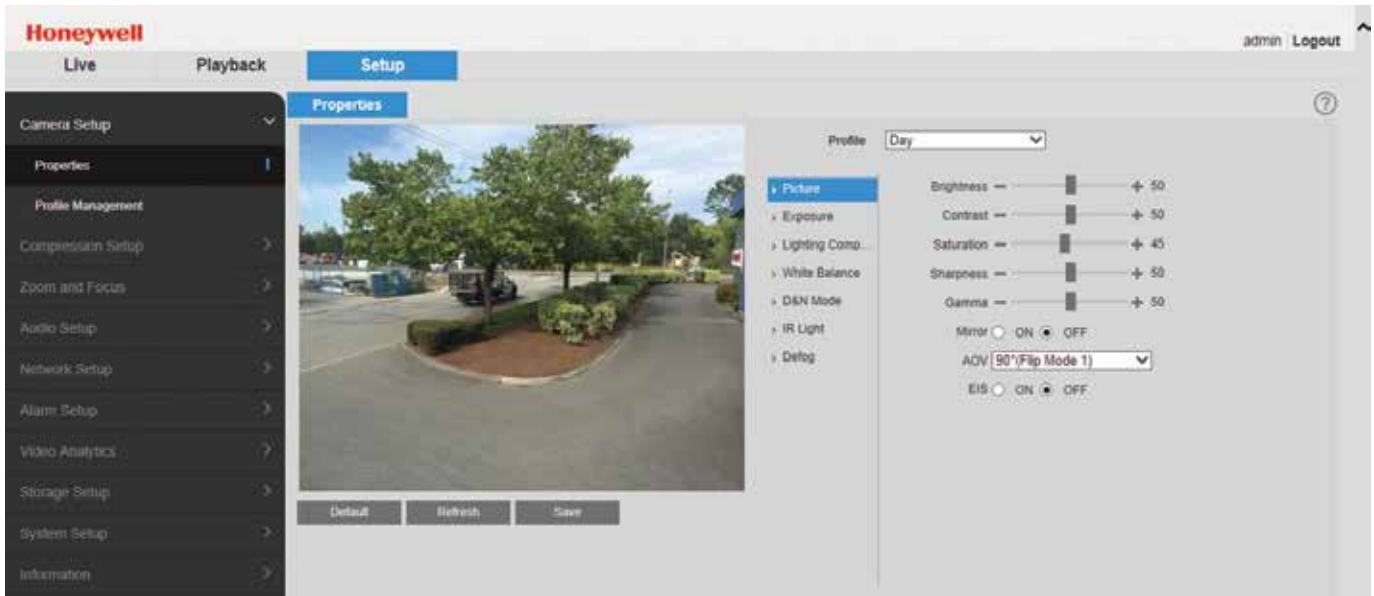
Market Opportunities

These fully featured attractive cameras are perfect for outdoor installations that require excellent picture quality at minimal bandwidth while offering maximum protection against dust, dirt, and water. Boasting a sleek modern design and offering 4K high definition images, the cameras are suited for a wide range of applications.

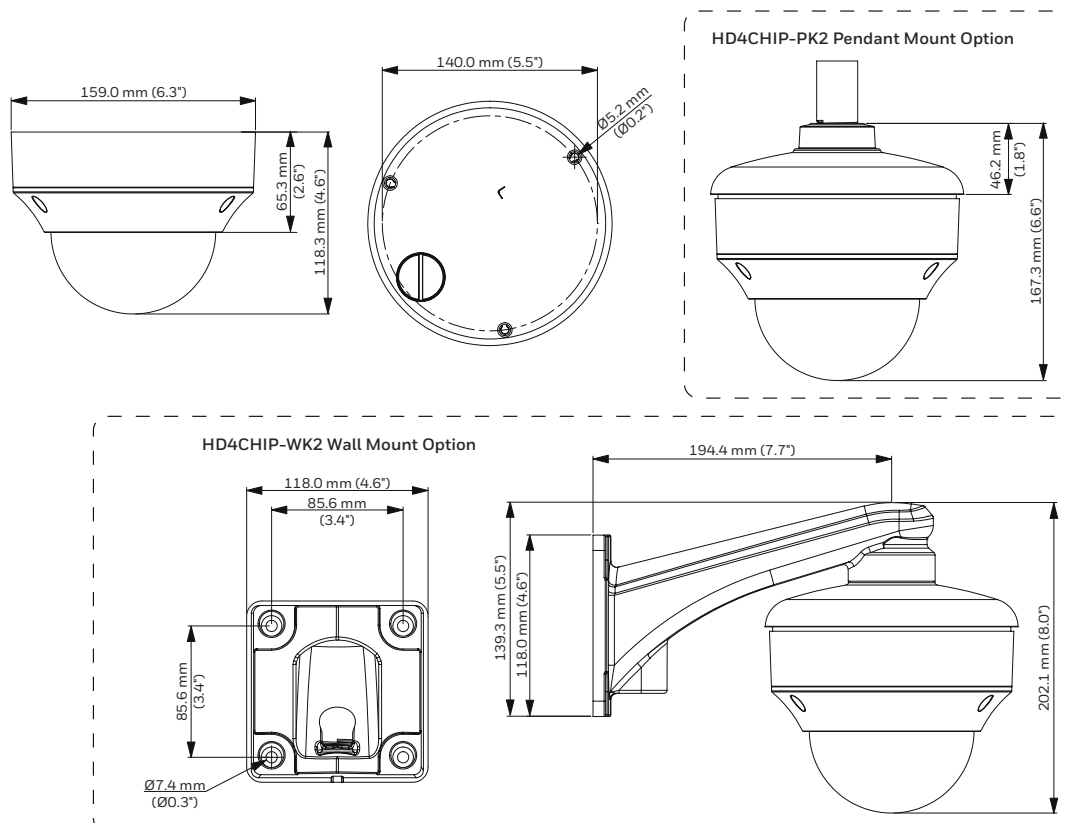
12 MP (4K Ultra HD) Outdoor IR IP Minidome Cameras

FEATURES CONTINUED

The camera can be configured to automatically detect and respond to events such as motion in the scene, alarm inputs, network failure, and/or camera tampering. Automated responses include: sending a notification through email, FTP, and/or HTTP; sending a still image of the event through email and/or FTP; and recording a video clip of the event to a configured microSDHC card. Setup can be done through the web client.



DIMENSIONS



12 MP (4K Ultra HD) Outdoor IR IP Minidome Cameras Technical Specifications

OPERATIONAL		
VIDEO STANDARD	NTSC/PAL	
SCANNING SYSTEM	Progressive scan	
IMAGE SENSOR	1/1.7" 12 MP progressive CMOS	
NUMBER OF PIXELS (H × V)	4000 × 3000	
MINIMUM ILLUMINATION	0.02 lux color @ F1.53, 0 lux B/W with IR LEDs on @ F1.5	
S/N RATIO	50 dB	
ELECTRONIC SHUTTER SPEED	Auto, Manual, 1/3(4) – 1/100,000 s	
IR DISTANCE	Up to 145 ft. (45 m), depending on scene reflectance	
DAY/NIGHT	Auto (ICR)/Color/BW	
BACKLIGHT COMPENSATION	BLC/HLC/DWDR/SSA	
WIDE DYNAMIC RANGE	Digital WDR (DWDR)	
WHITE BALANCE	Auto/Natural/Street Lamp/Outdoor/Customize Region	
GAIN CONTROL	Auto/Manual	
NOISE REDUCTION	3DNR	
PRIVACY MASKING	Up to 4 configurable areas	
CORRIDOR MODE	Yes	
ELECTRONIC IMAGE STABILIZATION	Off/On	
DEFOG	Auto/Manual/Off	
LENS	4.1–12.8 mm, MFZ, F1.53	
ANGLE OF VIEW	Horizontal: 112° – 35°	
AUDIO/TWO-WAY	Line In/Out	
ALARM INPUT/OUTPUT	2/1	
ETHERNET	RJ-45 (10/100/1000Base-T)	
IP SPECIFICATIONS		
VIDEO COMPRESSION	H.265/H.264+/H.264/MJPEG Bit rate control (CBR and VBR)	
RESOLUTION	16:9	8M (3840×2160)/3M (2304×1296)/1080p (1920×1080)/720p (1280×720)
	4:3	12M (4000×3000)/5M (2560×1920)/3M (2048×1536)/1.3M (1280×960)/VGA (640×480)/CIF (352×288/352×240)
	OTHER	8M (4096×2160)/6M (3072×2048)/SXGA (1280×1024)/D1 (704×576/704×480)
FRAME RATE	MAIN STREAM	12M (4000×3000) 1–20 fps; 8M (4096×2160) or lower resolution at 1–25/30 fps
	SUB STREAM	D1/VGA/CIF up to 25/30 fps
	THIRD STREAM	1080p/720p/D1/VGA up to 25/30 fps
AUDIO COMPRESSION	G.711a/G.711Mu/AAC/G.726	
AUDIO STREAM	Full duplex, simplex	
SUPPORTED WEB BROWSERS	Internet Explorer® (11.0+), Firefox, Chrome	
SUPPORTED OS	Windows® 7 32-bit/64-bit, Windows 10	

IP SPECIFICATIONS (CONT)	
SUPPORTED PROTOCOLS*	IPv4/v6, TCP/IP, UDP, RTP, RTSP, HTTP, HTTPS, SSL, ICMP, FTP, SMTP, DHCP, PPPoE, UPnP, IGMP, SNMP, Bonjour, DNS, DDNS, IEEE 802.1x, QoS, NTP, IP Filter, Multicast, ONVIF
COMPATIBILITY	ONVIF Profile S and G
MAXIMUM USERS ACCESS	20 users
SECURITY	User account and password protection, HTTPS, IP Filter, IEEE 802.1x, digest authentication, user access log, TLS1.2, AES-256, SSH/Telnet closed, FTP disabled, PCI-DSS, built-in crypto chipset, UL2900-1, UL Cyber Assurance Program (UL CAP) certification
MICRO SD	Up to 128 GB microSDHC card, Class 10 (not included)
MICRO SD FUNCTION	<ul style="list-style-type: none"> Event trigger recording Continuous and scheduled recording Automatic recording when network fails
LANGUAGES SUPPORTED	English, Arabic, Czech, Dutch, French, German, Italian, Japanese, Korean, Polish, Portuguese, Russian, Simplified Chinese, Spanish, Turkish
ELECTRICAL	
POWER SUPPLY	PoE+ (802.3at) Class 4, 12 VDC/24 VAC
AC FREQUENCY	50/60 Hz
POWER CONSUMPTION	18 W max. (IR LEDs on and motorized lens working)
MECHANICAL	
DIMENSIONS	6.2" × 4.6" (159.0 mm × 118.0 mm)
PRODUCT WEIGHT	2.3 lb. (1.05 kg)
PACKAGE WEIGHT	4.6 lb. (2.1 kg)
CONSTRUCTION	Die-cast aluminum housing with powder coat
CONSTRUCTION COLOR	RAL 9003 (White)
ENVIRONMENTAL	
OPERATING TEMPERATURE	–40°F to 140°F (–40°C to 60°C)
RELATIVE HUMIDITY	Less than 95%, non-condensing
INGRESS PROTECTION	IP67
IMPACT RESISTANCE	IK10
REGULATORY	
EMISSIONS	EN55032, FCC Part 15B, AS/NZS CISPR 22:2009+A1 (2010)
IMMUNITY	EN50130-4
SAFETY	EU: EN60950-1, EN60950-22 North America UL listed to UL/CSA 60950-1, 60950-22
ROHS	EN50581

* Some development may be required in specific user cases to support some of these protocols in the field as they mature over time.

12 MP (4K Ultra HD) Outdoor IR IP Minidome Cameras

RECOMMENDED ACCESSORIES

SYSTEM INTEGRATION		HOUSING AND MOUNTS		
<p>ONVIF support and open API software integration. Refer to www.onvif.org for the ONVIF specification and the Honeywell Open Technology Alliance website (http://www.security.honeywell.com/hota/) to learn more about our open and integrated solutions.</p>		HB4G-PM		Pole Mount Adapter
		HB34G-CM		Corner Mount Adapter
		HD4CHIP-PK2		Pendant Mount Bracket
		HD4CHIP-WK2		Wall Mount Bracket
HONEYWELL DEVICE INTEGRATION		H4G-CB		Replacement Dome (Clear)
MAXPRO® NVR FAMILY	Entry to Enterprise Level Network Video Recorders (version 4.0 and greater)	H4G-SB		Replacement Dome (Smoke)
MAXPRO® VMS FAMILY	Entry to Enterprise Level Network Video VMS (version R410 and greater)			
DVM	DVM R600.1 SP1			
HUS	HUS 5.1			

ORDERING

H4D8GR1	Network TDN Ultra 4K HD IR Rugged Dome Camera, 1/1.7" CMOS, 12 MP, 4.1–12.8 mm MFZ, PoE+, H.265
---------	---

For more information

www.honeywell.com/security

Honeywell Security and Fire

2700 Blankenbaker Pkwy, Suite 150

Louisville, KY 40299

1.800.323.4576

www.honeywell.com

ONVIF and the ONVIF logo are trademarks of ONVIF Inc. Honeywell reserves the right, without notification, to make changes in product design or specifications.

L/H4D8GR1D/D | 12/18
© 2018 Honeywell International Inc.

Honeywell