

# HBL2GR1/HBW2GR1/ HBW2GR3/HBW4GR1

## WDR IR Rugged IP Bullet Cameras

Honeywell is taking quality and reliability to the next level with the New equiP® range of rugged IP bullet cameras. The Honeywell TDN ultra low-light IR rugged bullet cameras offer outstanding picture clarity, hassle-free flexible system integration, and secure data transmission—and they look great too!

### Superior Image Quality

- Full HD 1080p 25/30 fps image with a 1/2.7" or 1/2.8" 2 MP sensor, or full HD 4 MP 20 fps image with a 1/3" 4 MP sensor
- True WDR, up to 140 dB, ensures glare-free images
- True Day/Night provides vivid colour images by day and clear black-and-white images at night with ICR
- Excellent low-light performance with 3D noise reduction, saving storage and bandwidth together with H.264 High Profile codec
- Ultra Low Light technology is able to capture high quality colour images in low light environments

### Flexible Surveillance Solution

- 2.7-12 mm or 5-50 mm, F1.4, motorized focus/zoom lens
- H.264 and MJPEG codec, triple stream support
- IR LEDs provide up to 60 m (195') of illumination in dimly lit or nighttime scenes (depending on scene reflectance)
- Smart IR technology provides even distribution of IR
- Waterproof (IP67) and IK10 vandal resistant camera housing
- -40°C to 60°C (-40°F to 140°F) working temperature
- ONVIF Profile S and G compliant
- Security features include individual signed certificates and data encryption
- Cameras can be retrofitted on many existing DVR/NVR installations without requiring additional storage



**HD**

Back box sold separately



### Easy to Install and Use

- Built-in PoE (Power over Ethernet) eliminates separate power supply and associated wiring; 24 V AC/12 V DC inputs where PoE power is unavailable
- Remote configuration, motorized zoom adjustments and auto focus through web client or from the NVR
- Included accessories: security screw driver, mounting screws, and mounting template

### Onboard Video Storage

- Supports up to 128 GB microSDHC (Class 10) card for local video storage when network is interrupted. Card not included.

## FEATURES & BENEFITS

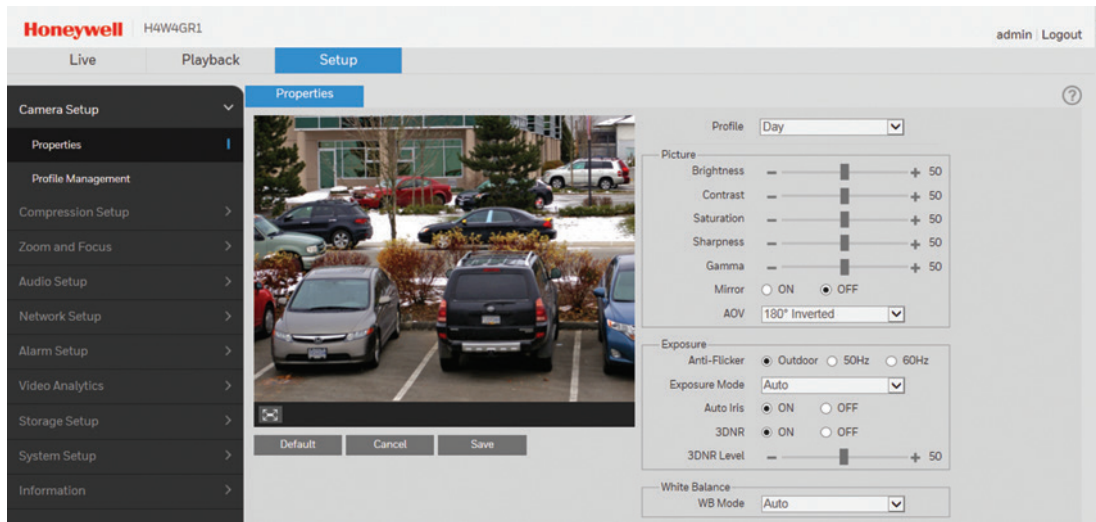
These fully featured attractive cameras are perfect for outdoor installations that require excellent picture quality at minimal bandwidth while offering maximum protection against dust, dirt, and water. Boasting a sleek modern design and offering two different lens options, the cameras are suited for a wide range of applications.

- |   |  |   |  |  |
|---|--|---|--|--|
| <ul style="list-style-type: none"> <li>• 1/2.7" or 1/2.8" 2 MP progressive scan imager or 1/3" 4 MP progressive scan imager</li> <li>• Ultra-low light performance</li> </ul> | <ul style="list-style-type: none"> <li>• 60 m (195') IR distance, depending on scene reflectance</li> <li>• True WDR: up to 140 dB</li> <li>• Excellent low light performance with down to 0 lux BW (with IR LEDs on)</li> </ul> | <ul style="list-style-type: none"> <li>• Up to triple stream support</li> <li>• Up to 4 MP resolution at 20 fps or 1080p at 25/30 fps</li> <li>• 2.7-12 mm or 5-50 mm, F1.4, motorized focus and zoom lens</li> </ul> | <ul style="list-style-type: none"> <li>• Rugged outdoor housing with IP67 ingress protection rating and IK10 vandal resistance rating</li> <li>• Corridor mode viewing capability</li> </ul> | <ul style="list-style-type: none"> <li>• On board camera storage: up to 128 GB micro SD card (not included)</li> <li>• ONVIF profile S and G compliant</li> <li>• 2 Alarm inputs / 1 alarm output</li> </ul> |
|---|--|---|--|--|

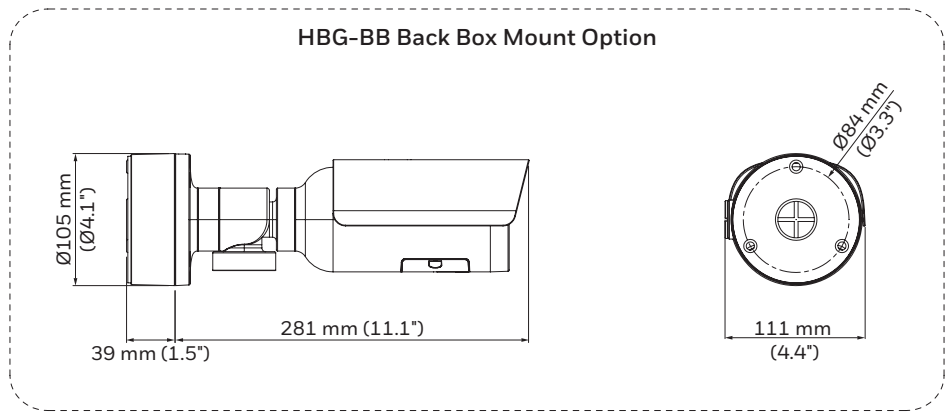
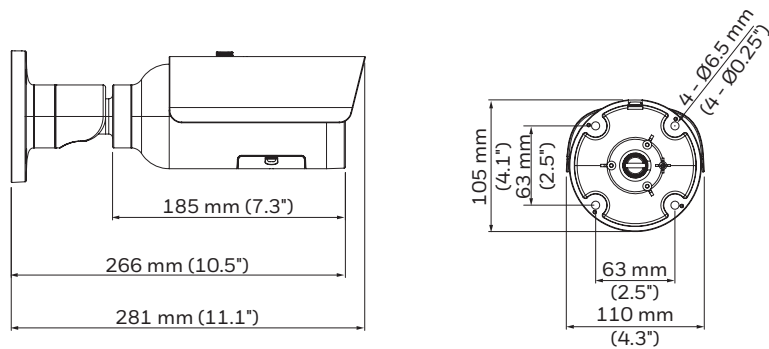
# HBL2GR1/HBW2GR1/HBW2GR3/HBW4GR1

## WDR IR Rugged IP Bullet Cameras

The camera can be configured to automatically detect and respond to events such as motion in the scene, alarm inputs, network failure, and/or camera tampering. Automated responses include: sending a notification through email, FTP, and/or HTTP; sending a still image of the event through email and/or FTP; and recording a video clip of the event to a configured microSDHC card. Setup can be done through a web client or from an NVR.



## DIMENSIONS



# HBL2GR1/HBW2GR1/HBW2GR3/HBW4GR1

## WDR IR Rugged IP Bullet Cameras

### SPECIFICATIONS

OPERATIONAL		IP SPECIFICATIONS (CON'T)	
VIDEO STANDARD	NTSC/PAL	FRAME RATE	SUB STREAM
SCANNING SYSTEM	Progressive scan		
IMAGE SENSOR	HBL2GR1: 1/2.8" 2 MP progressive CMOS	FRAME RATE	TRIPLE STREAM
	HBW2GR1/HBW2GR3: 1/2.7" 2 MP progressive CMOS		
	HBW4GR1: 1/3" 4 MP progressive CMOS		
NUMBER OF PIXELS (H×V)	HBL2GR1/HBW2GR1/HBW2GR3: 1920 × 1080	PROTOCOLS*	IPV4/IPV6, HTTP, HTTPS, TCP/IP, UDP, UPnP, ICMP, IGMP, RTSP, RTP, SMTP, NTP, DHCP, DNS, PPPoE, DDNS, FTP, QoS, SNMP v2c/v3, LDAP (Client), NFS, RTCP, Bonjour
	HBW4GR1: 2560x1440		
MINIMUM ILLUMINATION	HBL2GR1: 0.005 lux colour/0 lux with IR LEDs on @ F1.4 HCW2G/HCW4G: 0.01 lux colour/0.001 lux BW @ F1.4	COMPATIBILITY	ONVIF Profile S/G
S/N RATIO	50 dB or more	MAX. USER ACCESS	20 users
ELECTRONIC SHUTTER SPEED	Auto, Manual, 1/3(4)-1/10 000 s	LANGUAGES SUPPORTED	English, Arabic, Czech, Dutch, French, German, Italian, Japanese, Korean, Polish, Portuguese, Russian, Simplified Chinese, Spanish, Turkish
IR DISTANCE	Up to 60 m (195'), depending on scene reflectance	ELECTRICAL	
DAY/NIGHT	Auto(ICR)/Colour/BW	INPUT VOLTAGE	12VDC +/-10%, 24VAC +/-10%, PoE IEEE 802.3af
BACKLIGHT COMPENSATION	BLC/HLC	AC FREQUENCY	50/60 Hz
WIDE DYNAMIC RANGE	HBL2GR1: 140 dB	POWER CONSUMPTION	24VAC 12W max (zoom/focus/IRs/heater active), typical 10.5W PoE (802.3af) Class 0 HBL2GR1 PoE (802.3at) 24VAC 14.5W Class 4
	HBW2GR1/HBW2GR3/HBW4GR1: 120 dB	MECHANICAL	
WHITE BALANCE	Auto/Manual	DIMENSIONS	281.0 × 110.0 mm (11.1" × 4.3")
GAIN CONTROL	Auto/Manual	PRODUCT WEIGHT	2.0 kg (4.4 lb)
NOISE REDUCTION	3DNR	PACKAGE WEIGHT	2.3 kg (5.0 lb)
PRIVACY MASKING	Up to 4 areas	CONSTRUCTION	Die-cast aluminum housing with powder coat
CORRIDOR MODE	Yes	CONSTRUCTION COLOUR	RAL9003 (White) and RAL7022 (Gray)
LENS	HBL2GR1/HBW2GR1/HBW4GR1: 2.7-12 mm, MFZ, F1.4	RECORDING AND STORAGE	Up to 128 GB microSDHC card Class 10 (not included)
	HBW2GR3: 5-50 mm, MFZ, F1.4	ENVIRONMENTAL	
HORIZONTAL ANGLE OF VIEW	HBL2GR1: 97°-34°	TEMPERATURE	-40°C to 60°C (-40°F to 140°F)
	HBW2GR1/HBW4GR1: 99°-34°	RELATIVE HUMIDITY	10% to 100%, condensing
	HBW2GR3: 66°-6.2°	INGRESS PROTECTION	IP67
AUDIO/TWO-WAY	Line In/Out	VANDAL RESISTANCE	IK10
ALARM INPUT/OUTPUT	2/1	REGULATORY	
IP SPECIFICATIONS		EMISSIONS	FCC Part 15, CE (EN 55022); Complies with RCM (AS/NZS) CE (EN 50130-4)
VIDEO COMPRESSION	H.264/H.264H/H.264B/MJPEG	IMMUNITY	North America UL Listed to UL/CSA 60950-1, CE (EN 60950-1)
RESOLUTION	HBL2GR1/HBW2GR1/HBW2GR3: 1080p (1920×1080)/SXGA (1280×1024)/1.3M (1280×960)/720p (1280×720)/D1 (704×576/704×480)/CIF (352×288/352×240)	SAFETY	North America UL Listed to UL/CSA 60950-22, CE (EN 60950-22)
	HBW4GR1: 4M (2688×1520 with Analog video output off, or 2560×1440 with Analog video output on)/3M (2304×1296)/1080p (1920×1080)/SXGA (1280×1024)/1.3M (1280×960)/720p (1280×720)/D1 (704×576/704×480)/CIF (352×288/352×240)		
FRAME RATE	MAIN STREAM	NOTE:	
		* Some development may be required in specific user cases to support some of these protocols in the field as they mature over time.	

# HBL2GR1/HBW2GR1/HBW2GR3/HBW4GR1

## WDR IR Rugged IP Bullet Cameras

### ORDERING

#### SYSTEM INTEGRATION

##### OPEN IP INTEGRATION

ONVIF support and open API software integration. Refer to [www.onvif.org](http://www.onvif.org) for the ONVIF specification and the Honeywell Open Technology Alliance website (<http://www.security.honeywell.com/hota/>) to learn more about our open and integrated solutions.



#### ACCESSORIES

##### HOUSINGS AND MOUNTS

HBG-BB	IP66 Back Box (for Cable Termination)
HBG-FP	Front Lens Plate (for Replacement if Vandalized)

#### ORDERING

##### CAMERAS

HBL2GR1	Network TDN Ultra Low-Light, 140 dB Wide Dynamic, IR Bullet Camera, 1/2.8" Imager, 2 MP, 2.7-12 mm MFZ Lens, 4 IR LEDs, PoE+, H.264
HBW2GR1	Network TDN Low-Light, 120 dB Wide Dynamic, IR Bullet Camera, 1/2.7" Imager, 2 MP, 2.7-12 mm MFZ Lens, 4 IR LEDs, PoE, H.264
HBW2GR3	Network TDN Low-Light, 120 dB Wide Dynamic, IR Bullet Camera, 1/2.7" Imager, 2 MP, 5-50 mm MFZ Lens, 4 IR LEDs, PoE, H.264
HBW4GR1	Network TDN Low-Light, 120 dB Wide Dynamic, IR Bullet Camera, 1/3" Imager, 4 MP, 2.7-12 mm MFZ Lens, 4 IR LEDs, PoE, H.264

#### For more information

[www.honeywell.com/security/uk](http://www.honeywell.com/security/uk)

#### Honeywell Security and Fire

Aston Fields Road  
Whitehouse Industrial Estate  
Runcorn, Cheshire, WA7 3DL  
United Kingdom  
Tel: +44 (0)8448 000 235  
[www.honeywell.com](http://www.honeywell.com)

#### Honeywell Security Office

Emaar Business Park, Sheikh Zayed Road  
Building No. 2, 2nd floor, 201  
Post Office Box 232362  
Dubai, United Arab Emirates  
Tel: +971 44541704  
[www.honeywell.com](http://www.honeywell.com)

Honeywell reserves the right, without notification, to make changes in product design or specifications.

HSFV-equip\_Bullet-03-EN(0518)DS-Z  
© 2018 Honeywell International Inc.

**Honeywell**