



# AC2200

## Bluetooth enabled Fingerprint Terminal

The AC2200 is a versatile biometric terminal designed to operate as stand alone, networked or integrated into 3rd Party Access Control systems. Bluetooth enabled with Live and Fake fingerprint scanner the AC2200 as an on-board smart card reader and a 1.77" screen .

The terminal can be used in a 1:1 verification mode or a 1:N identification mode with the optional use of the built-in 13.56 Mhz Card Reader .



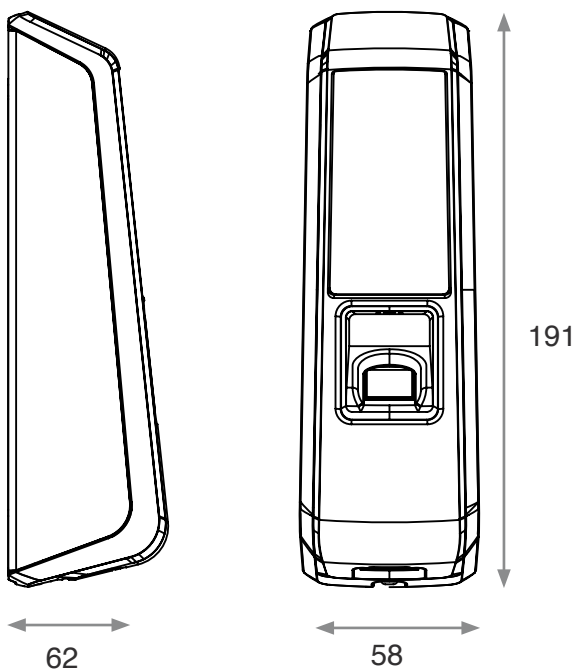
### Key Features

- Integrated with various Access Control Systems via Wiegand
- Paxton Approved for Integration
- Bluetooth Enabled Mobile Key System
- Wiegand In and Out
- True Live and Fake Finger Detection
- Built In 13.56Mhz Card Reader
- Anti Tamper
- On-Board Camera for Transaction Snap Shots
- IP65 Rated
- Suitable for T&A Applications (With Unis &Uniworks Software)
- Suitable for Internal and External use

# Specification

Model Number	AC2200
Scanner	Union Patented White Light Optical
CPU	ARM9, 4000MHz
LCD	1.77' Colour LCD
Communication	TCP/IP, Bluetooth, Wiegand In/Out and RS485
Memory	128 MB Nand, 32MB NOR, DDR2, 64MB
Max User	1000 (Standard) /5000 (Optional)
Log Capacity	100,000
On-Board Card Reader	13.56Mhz EM (Standard), 125khZ-EM (Optional), HID Prox (Optional), HID iclass (Optional)
Operating Temperature	-20 °C to +60 °C
Environmental Rating	IP65
Certificate	KC, CE, FCC
Dimension (mm) W x H x D	58 x 191 x 62

## Dimensions (mm)



## Related Products

- EB030- Contactless Exit Button
- BLC015- Secure Relay
- Unis- Access Control Security Software
- MCP040- Door Controller
- Uni Work- Time and Attendance Software
- FOH02SC- USB Fingerprint/Card Reader



EB030



BLC015



MCP040



Unis S/F



UniWork S/F



FOH02SC