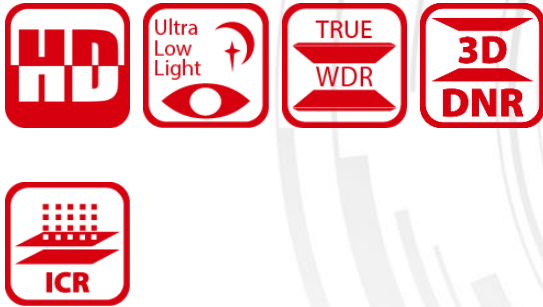


DS-2CE37U8T-A 4K Ultra-Low Light Box Camera



Key Features

- 8.29 MP high performance CMOS
- Ultra-low light
- 3840 × 2160 resolution
- Auto-Iris
- 120 dB true WDR, 3D DNR
- Alarm, and RS-485 Interfaces
- Dual video output: TVI/CVBS
- Dual voltage input: 12 VDC ±25%/24 VAC ±25%
- Up the coax (HIKVISION-C)



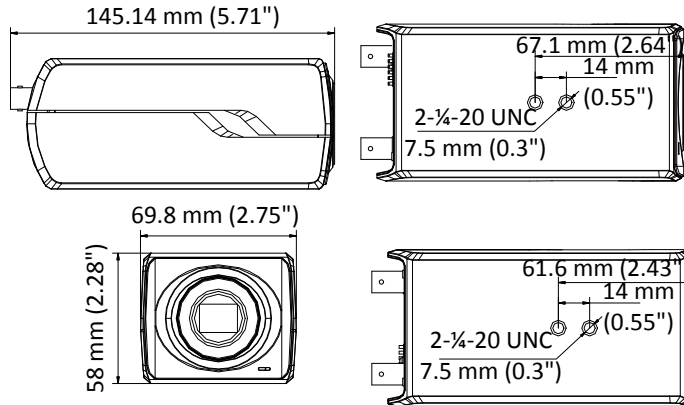
Specification

Camera	
Image Sensor	8.29 megapixel progressive scan CMOS
Signal System	PAL/NTSC
Frame Rate	PAL: 8 MP@12.5fps, 5 MP@20fps, 4 MP@25fps, 1080p@25fps NTSC: 8 MP@15fps, 5 MP@20fps, 4 MP@30fps, 1080p@30fps
Resolution	3840 (H) × 2160 (V)
Min. illumination	Color: 0.003 Lux@(F1.2, AGC ON), 0 Lux with IR
Shutter Time	PAL: 1/12.5 s to 1/10,000 s NTSC: 1/15 s to 1/10,000 s
Lens Mount	C/CS mount
Auto-iris	DC drive
Synchronization	Internal synchronization
WDR (Wide Dynamic Range)	120 dB
Menu	
AGC	Support
Day/Night Mode	Auto/Color/BW (Black and White)
White Balance	Auto/Manual/Natural
Privacy Mask	ON/OFF, 4 programmable privacy masks
BLC (Backlight Compensation)	Support
3D DNR (Digital Noise Reduction)	Level 1 to 10
Language	English
Functions	Contrast, Sharpness, Saturation, Mirror, Defog, HLC
Interface	
TVI Video Output	1 HD analog output
CVBS Video Output	1 CVBS output (75Ω/BNC)
Communication Interface	1 RS-485 interface
General	
Operating Conditions	-40 °C to 60 °C (-40 °F to 140 °F), humidity: 90% or less (non-condensation)
Power Supply	12 VDC ±25%, 24 VAC ±25%
Power Consumption	Max. 10 W
Material	Metal
Communication	Up the coax, Protocol: HIKVISION-C (TVI output)
Dimensions	145.14 mm × 58 mm × 69.8 mm (5.71" × 2.28" × 2.75")
Weight	Approx. 520 g (1.15 lb.)

Order Model

DS-2CE37U8T-A

Dimension



Accessory

- | | | | |
|---|---|--|---|
|  |  |  |  |
| HV3816D-8MPIR
Manual Focusing 8 MP IR Lens | HV1140D-8MPIR
Manual Focusing 8 MP IR Lens | DS-1330HZ
Indoor Housing | DS-1331HZ
Outdoor Housing |
|  |  |  |  |
| DS-1332HZ
Indoor Housing | DS-1H18
Video Balun | DS-1292ZJ
Wall Mount | X41T
Camera Tester |

Distributed by



HIKVISION

Headquarters

No.555 Qianmo Road, Binjiang District,
Hangzhou 310051, China
T +86-571-8807-5998
overseasbusiness@hikvision.com

Hikvision USA
T +1-909-895-0400
sales.usa@hikvision.com

Hikvision Europe
T +31-23-55-42-770
info.eu@hikvision.com

Hikvision Middle East
T +971-4-8816086
salesme@hikvision.com

Hikvision Russia
T +7-495-669-67-99
saleru@hikvision.com

Hikvision India
T +91-22-28469900
sales@pramahikvision.com

Hikvision Italy
T +39-0438-6902
info.it@hikvision.com

Hikvision France
T +33(0)1-85-330-450
info.fr@hikvision.com

Hikvision Spain
T +34-91-737-16-55
info.es@hikvision.com

Hikvision Poland
T +48-22-460-01-50
poland@hikvision.com

Hikvision UK
T +01628-902140
support.uk@hikvision.com

Hikvision Singapore
T +65-6684-4718
sg@hikvision.com

Hikvision Oceania
T +61-2-8599-4233
salesau@hikvision.com

Hikvision Canada
T +1-909-895-0400
sales.usa@hikvision.com

Hikvision Korea
T +82-31-731-8841
sales.korea@hikvision.com

Hikvision Brazil
T +55 11 3318-0050
Latam.support@hikvision.com

Hikvision Africa
T +27 (10) 0351172
sale.africa@hikvision.com

Hikvision Hong Kong
T +852-2151-1761