

Stainless Steel Posts for ANPR and Traffic Signal

Product Description

The SSP-ANPR and SSDP-ANPR stainless steel posts are each designed to house either a Nedap ANPR Access or a Nedap ANPR Access-HD camera in an attractive roadside post/bollard. The SSDP-ANPR is a dual height post that includes integral traffic signals.

The ANPR camera is mounted at the ideal height (585mm to lens) for reading standard number plates. It is contained within the body of the post with no restriction to either the lens or IR lighting.

Once fitted, the rear of the camera can be accessed via a service panel.

The traffic signal mounted at the top of the SSDP-ANPR may be controlled directly from the access controller or barrier logic using individual 24V control signals for each of the red and green LED clusters.



Features

- ▶ Attractive brushed stainless steel housing
- ▶ Ideal camera height for standard licence plates
- ▶ Integral red and green LED traffic lights (SSDP-ANPR)
- ▶ Robust bollard style housing with 300mm base plate
- ▶ Support both ANPR Access and ANPR Access-HD

Specifications

Single Height Post

Dimensions (mm):	Total height: 858; Post diameter: 168; baseplate diameter: 300
Weight:	Approx. 12.5 kg
Material:	Stainless steel AISA 316L
Wall thickness:	3mm

Dual Height Post

Dimensions (mm):	Total height: 1508; Post diameter: 168; baseplate diameter: 300
Weight:	Approx. 21 kg
Material:	Stainless steel AISA 316L
Wall thickness:	3mm

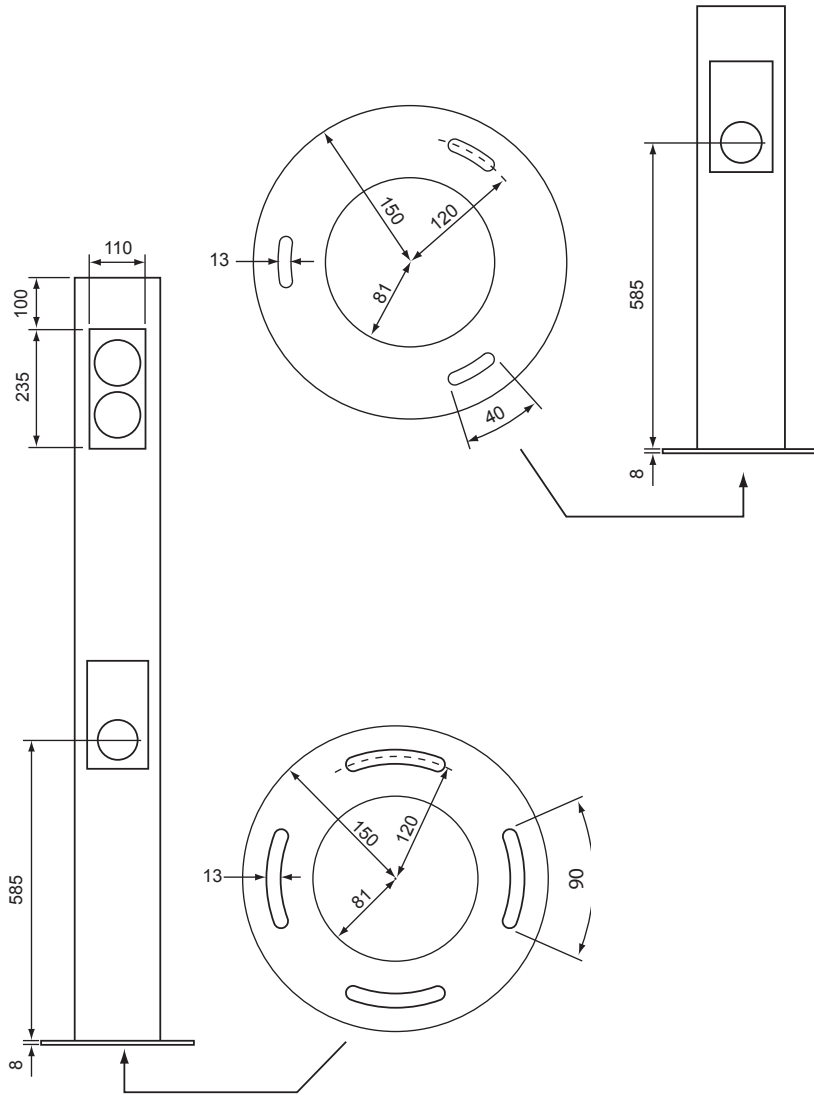
LED Lights

Diameter:	90mm
Voltage:	24 Vdc/ac
Viewing angle:	30°
Brightness:	5500 mcd per LED red x 40 pcs. each cluster 4900 mcd per LED green x 40 pcs. each cluster

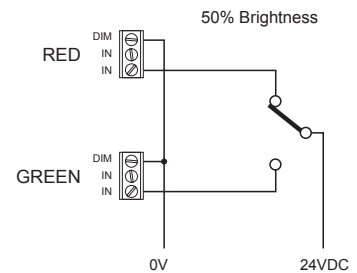
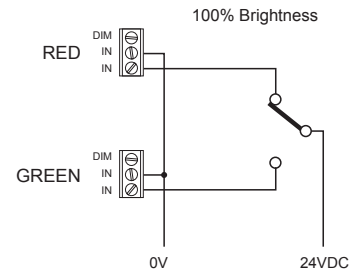
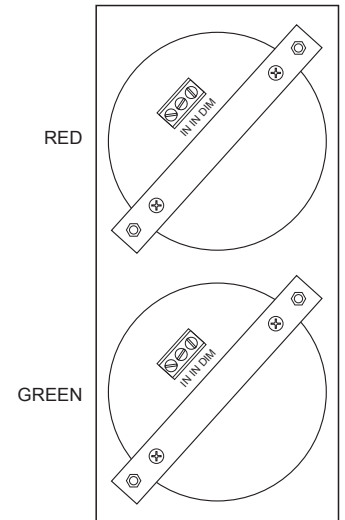
Stainless Steel Posts for ANPR and Traffic Signal

Technical Information

Dimensions



Traffic Lights - Typical Wiring



Ordering Information

SSDP-ANPR Stainless steel dual height post for ANPR and traffic signal

SSP-ANPR Stainless steel bollard housing for ANPR

Complementary Products

9949933 ANPR Access licence plate reader

9958789 Wiegand interface module

9982868 ANPR Access HD licence plate reader

7657870 ANPR power adapter (24VDC 1A, 100-240VAC)