

Clarius®

Clarius® PLUS Small

The **Clarius® PLUS** range of high performance White Light illuminators are designed to provide class leading performance, long life and ultra low maintenance.

Incorporating the latest surface mount LED's with enhanced optical output and outstanding reliability, they deliver excellent night-time images.

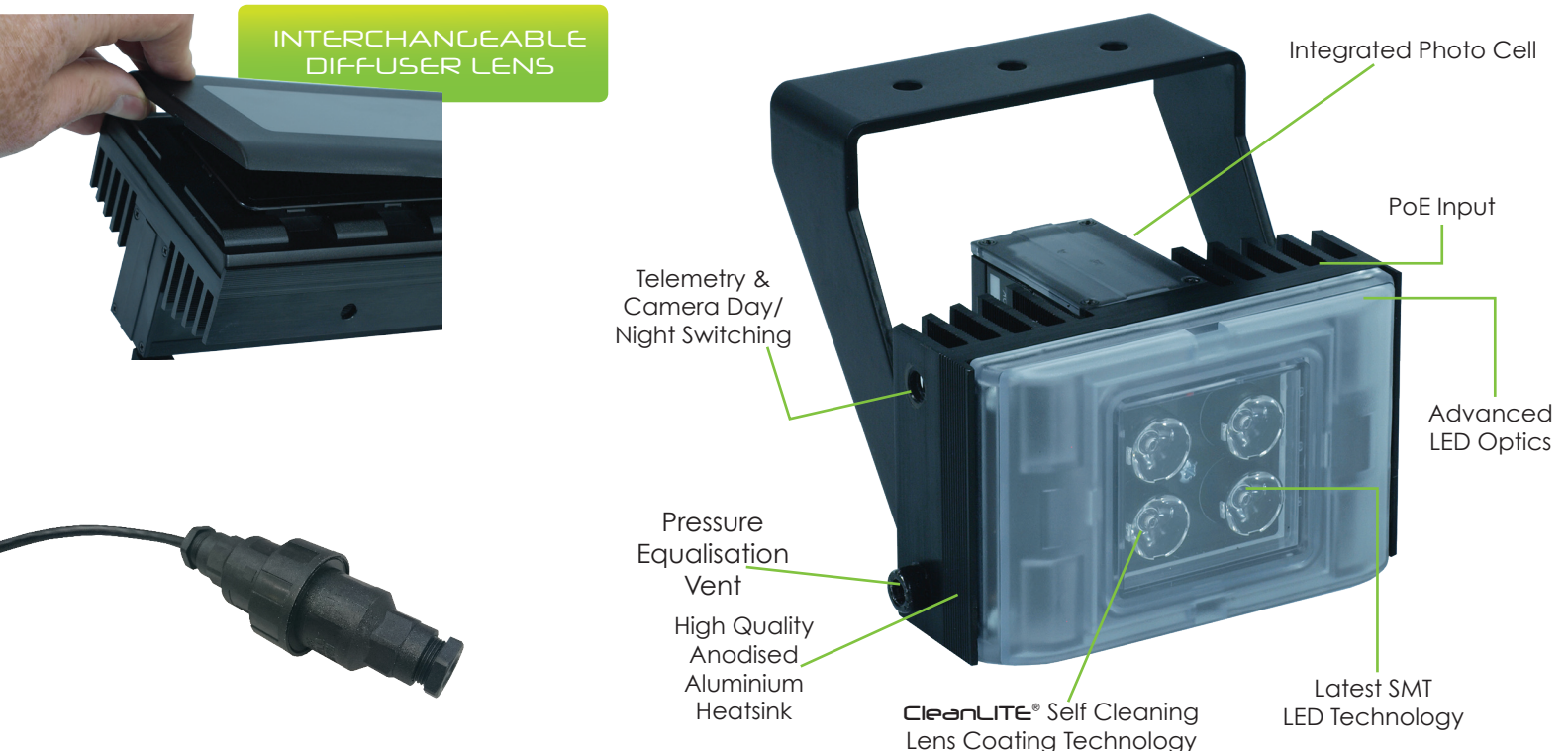
Each unit is fitted with integrated control circuitry to carefully control LED output, delivering consistent illumination and projected working life in excess of 10 years.

The **Clarius® PLUS** range of illuminators includes a new interchangeable lens diffuser system; which allows the user to quickly and easily alter the angle of illumination. Elliptical beam profiles allow more light to be delivered where it is needed, allowing both longer distances and minimising light wastage. The system also helps to prevent overexposure of foreground objects.

As standard the illuminator includes interchangeable lensing to deliver 10° circular, 20°, 30°, 60°, 80° and 95° elliptical beam profiles.

PRODUCT FEATURES

- WL Illuminator Designed To Provide
- Dedicated Lighting For IP Cameras Via PoE (Power Over Ethernet)
- IEEE802af Compliant
- Latest SMT LED™ Technology
- Elliptical Beam Profiles
- Distances Up To 68m (223')
- Angle 10°, 20°, 30°, 60°, 80° & 95°
- 5 Year Warranty
- IP66 Weather Proof Rating
- Built-in Photocell WL On/Off
- Photocell Following Contact
- Telemetry Input for Remote Switching
- **CleanLITE®** Self Cleaning Lens Coating Technology



SECTORS



RESIDENTIAL



COMMERCIAL



INDUSTRIAL



BORDERS



MILITARY BASES



PORTS



POWER PLANTS



HERITAGE



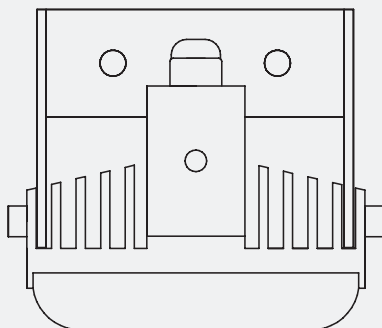
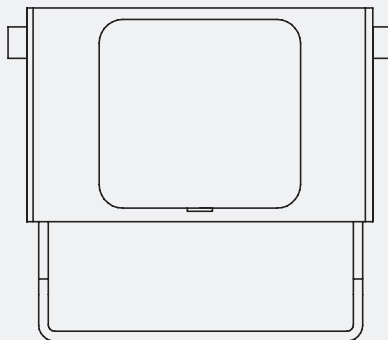
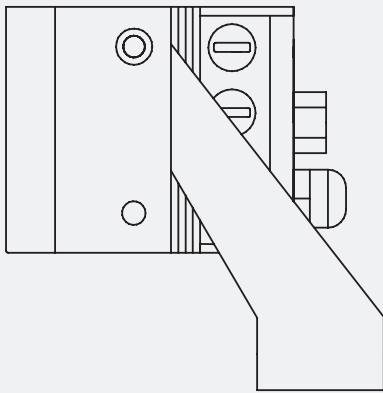
AIRPORTS



PRISONS

Product Code	Angle	Distance		FOV	
VS-CW-P	10° - Circular	68m	223'	12m	39'
	20° - Elliptical	45m	148'	16m	52'
	30° - Elliptical	40m	130'	21m	70'
	60° - Elliptical	28m	93'	33m	107'
	80° - Elliptical	23m	74'	38m	125'
	95° - Elliptical	17m	56'	37m	122'

TECHNICAL SPECIFICATIONS



GENERAL

Electronics	High Efficiency Surface Mount High Power LED's™ With Advanced Current Limited Integral Control Circuitry
Construction	Robust High Quality Aluminium Extrusion
Front Window	Polycarbonate High Transmission Protective (Vandal Proof) IR Filter with CleanLITE® Technology
Finish	Black Anodised
Power Cable	3m including RJ45 connector
Interface Connector	Photocell Following Contact & Remote Telemetry Input
Pressure Equalisation Vent	Prevents Thermal Following Contact & Pressure Cycling
Photocell	Adjustable 20 -70 Lux
Illumination	Adjustable 10% - 100%
Operating Temperature	-50° to 50°C (-58° to 122°F)
Weight	750g (1.65bs)
Mount	Powder Coated Stainless Steel Wall Mount
Dimensions	68 x 110 x 78mm (2.68" x 4.33" x 3.07")

ELECTRICAL

Power Over Ethernet Consumption	IEEE802.3af Compliant 12W
--	------------------------------

LIGHTING OUTPUT

Lumen Output	928lm
Wavelength	Visible Spectrum (400-750nm)
Colour Temperature	6500k
Colour Rendering Index	74-80+

CERTIFICATION

Safety	EN60598:2004	Electrical Safety
	EN60825-1	Laser Eye Safety
IP	IP66 In Accordance With EN60529;1992	
EMC	EN61000, FCC Part 15. 107 15. 108 Class B	
WEEE	Waste Electrical & Electronic Equipment European Directive 202/96/EC	
RoHS	Restriction Of Hazardous Substance European Directive 202/95/EC	

Please note GJD reserve the right to change the information within this document, without notice. **DSVS_P+-31-08-15**

www.gjd.co.uk | info@gjd.co.uk | +44 (0) 1706 363 998

Unit 2 Birch Business Park, Whittle Lane, Greater Manchester, Lancashire, OL10 2SX

