

# Clarius®

## Clarius® PLUS IP Short Range

The Clarius® Plus IP is a high performance Infra-Red illuminator.

Incorporating the latest surface mount LED's with enhanced optical output and outstanding reliability, they deliver excellent night-time images.

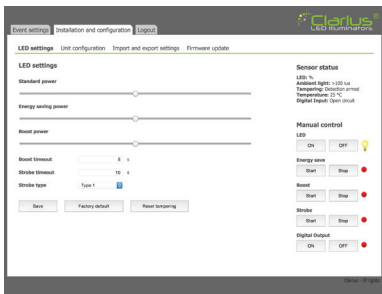
The Clarius® Plus IP is a internet protocol connected illuminator with integrated web browser interface.

The Clarius® Plus IP range of illuminators includes a new interchangeable lens diffuser system; which allows the user to quickly and easily alter the angle of illumination. Elliptical beam profiles allow more light to be delivered where it is needed, allowing both longer distances and minimising light wastage. The system also helps to prevent overexposure of foreground objects.

As standard the illuminator includes interchangeable lensing to deliver 10° circular, 20°, 30°, 60°, 80° & 95° elliptical beam profiles.

### PRODUCT FEATURES

- IR Illuminator Designed To Provide Dedicated Lighting For IP Cameras Via PoE (Power Over Ethernet)
- Angle 10°, 20°, 30°, 60°, 80° & 95°
- Web browser interface
- Direct integration with VMS system\*
- Elliptical Beam Profiles
- Enable Network Infrastructure
- IEEE802.3af Compliant
- Latest SMT Dual Core LED™ Technology
- Distances Up To 132m (434')
- 850nm or 940nm Wavelengths
- 5 Year Warranty
- IP66 Weather Proof Rating
- Built-in Photocell IR On/Off
- Photocell Following Contact
- Telemetry Input for Remote Switching
- Vibration sensor
- **CleanLITE®** Self Cleaning Lens Coating Technology

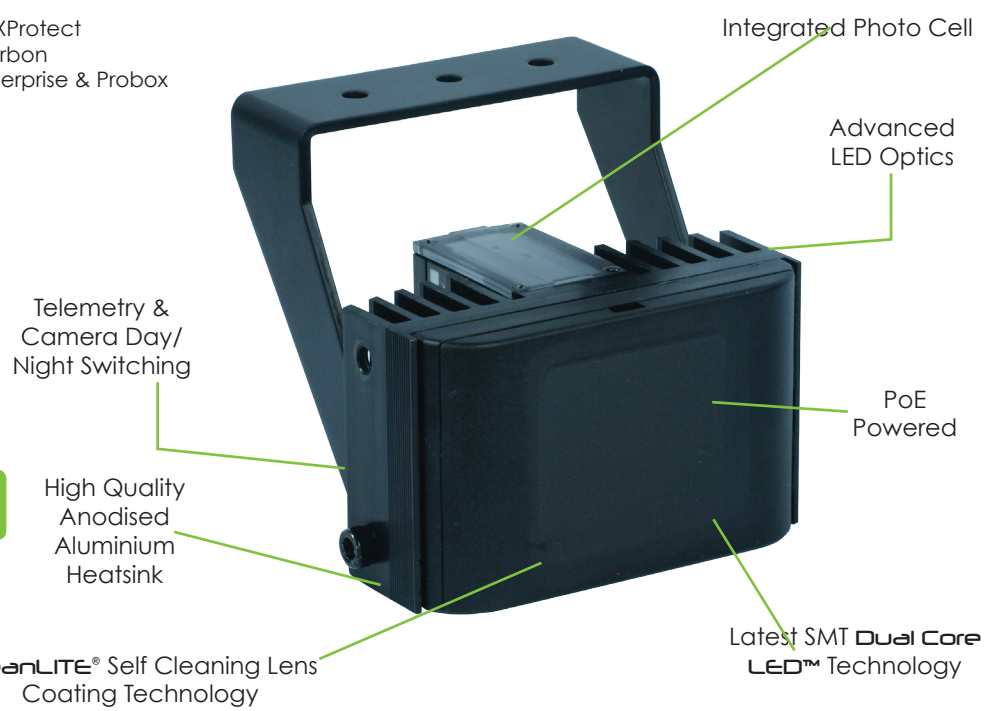


#### \*Currently supported VMS platforms

- Bosch
- Griffid GMS & GMC
- Axis
- Milestone XProtect
- Mirasys Carbon
- SeeTec Enterprise & Probox



INTERCHANGEABLE DIFFUSER LENS



- Integrated Photo Cell
- Advanced LED Optics
- PoE Powered
- Latest SMT Dual Core LED™ Technology
- CleanLITE® Self Cleaning Lens Coating Technology
- High Quality Anodised Aluminium Heatsink
- Telemetry & Camera Day/Night Switching

### SECTORS



RESIDENTIAL



COMMERCIAL



INDUSTRIAL



BORDERS



MILITARY BASES



PORTS



POWER PLANTS



HERITAGE



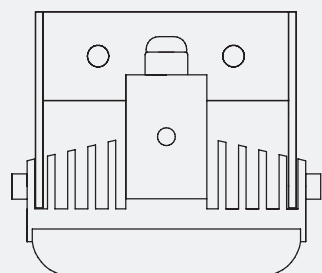
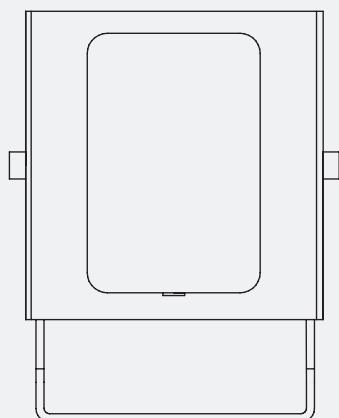
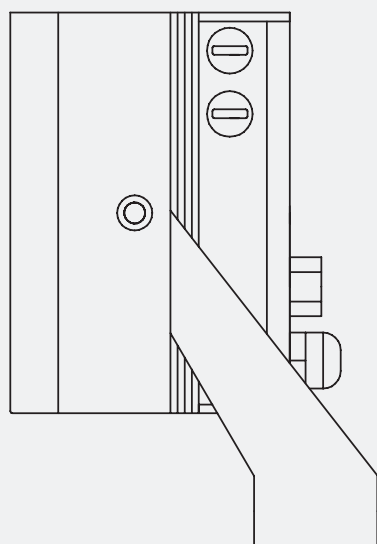
AIRPORTS



PRISONS

Product Code	Wavelength	Angle	Distance		FOV	
IS-8-IP	850nm	10° - Circular	132m	434'	23m	76'
		20° - Elliptical	90m	296'	32m	104'
		30° - Elliptical	66m	217'	35m	116'
		60° - Elliptical	42m	138'	49m	159'
		80° - Elliptical	30m	99'	50m	165'
IS-9-IP	940nm	95° - Elliptical	21m	69'	46m	151'
		10° - Circular	81m	266'	14m	47'
		20° - Elliptical	48m	158'	17m	56'
		30° - Elliptical	39m	128'	21m	69'
		60° - Elliptical	24m	79'	28m	91'
80° - Elliptical	18m	59'	30m	99'		
95° - Elliptical	12m	39'	26m	86'		

## TECHNICAL SPECIFICATIONS



### GENERAL

#### Electronics

High Efficiency Surface Mount High Power **Dual Core LEDs™** With Advanced Current Limited Integral Control Circuitry

#### Construction Front Window

Robust High Quality Aluminium Extrusion Polycarbonate High Transmission Protective (Vandal Proof) IR Filter with CleanLITE® Technology Black Anodised

#### Finish

#### Power Cable

3m (9ft)

#### Interface Connector

Photocell Following Contact & Remote Telemetry Input

#### Pressure Equalisation Vent

Prevents Thermal Expansion & Pressure Cycling

#### Photocell

Software Adjustable 20 -70 Lux

#### Illumination

Software Adjustable 10% - 100% with Low power and pulse modes

#### Vibration/Knock sensor

Software adjustable sensitivity

#### Operating Temperature

-50° to 60°C (-58° to 140°F)

#### Weight

1.05Kg (2.3lbs)

#### Mount

Powder Coated Stainless Steel Wall Mount

#### Dimensions

111 x 110 x 78mm (4.49" x 4.33" x 3.07")

### ELECTRICAL

#### High Power over Ethernet

IEEE802af Compliant, TCP/IP

#### Consumption

12W

#### User Interface

Web browser user interface. No software or installation needed

### WAVELENGTH

#### Standard

850nm (Semi Covert). Faint Red Glow Only

#### Optional

940nm (Covert). Minimal Visible Glow

### CERTIFICATION

#### Safety

EN60598:2004

Electrical Safety

EN60825-1

Laser Eye Safety

#### IP

IP66 In Accordance With EN60529:1992

#### EMC

EN61000, FCC Part 15. 107

15. 108 Class B

#### WEEE

Waste Electrical & Electronic Equipment European Directive 202/96/EC

#### RoHS

Restriction Of Hazardous Substance European Directive 202/95/EC

