

ES1 Series

Series Electric Strike

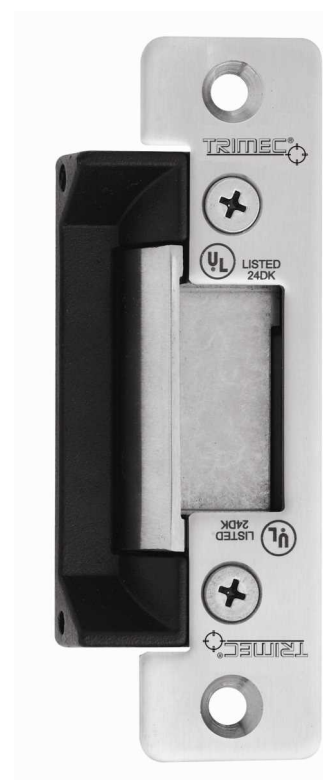
General Description

The ES110 is a cost efficient robust electric strike with a solid construction of one-piece cast aluminium body and stainless steel striker. Having a deeper than normal strike-keeper area, ES110 is designed to work with an extensive range of locks and offers the same level of security and reliability usually provided by more expensive electric locking solutions.

Extension lips are available to accommodate the installation of electric strikes on door frames with different thickness. The ES110 product range of patented electric strikes are suitable for use with all access control installations where flexibility, security and lower cost are required.

Key Features

- Fail safe/fail secure changeable on site
- Stainless steel striker for extra strength and durability
- Stainless steel locking pins
- Available in 12 or 24Vdc
- Optional mounting kit
- Installation template
- IP56 weather resistant model as standard
- Suitable For 18mm latch with a 3mm door gap
- Tricare 5 year warranty
- CE market to EMC Directive



CE TRICARE

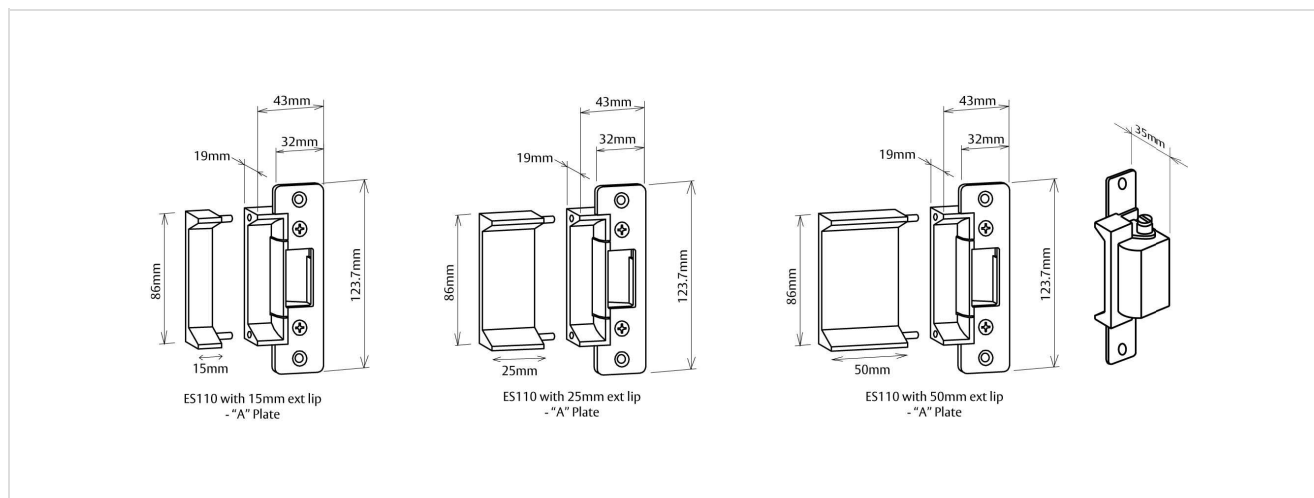
Applications

- Exposed areas
- High traffic areas
- Open in/open out doors
- Suitable for use with all access control systems

Technical

Voltage	12 or 24Vdc
Current	243 mA @ 12Vdc – 187mA @ 24Vdc
Solenoid	Solenoids are rated for continuous use.
Monitoring	None
Holding Force	680kg Static Strength Rating
Endurance	Cycle tested to 1,000,000 operations
Environment	Operational temperature range -20°C to + 60°C Weather resistant construction available. (IP56)
Body	Cast Aluminium Construction
Keeper	Stainless Steel
Latch	Suit 18mm latch with 3mm door gap

Technical Drawing



Specifications

Where Power to Lock and Power to Open functions may be required in the same building, the strike must be interchangeable from either "Power to Lock" or "Power to Open" on site.

The electric strike should not consume current greater than 243mA @ 12Vdc or 187mA @ 24Vdc and have a solenoid suitable for continuous use. Certifications must include CE.

The strike should have a minimum holding force of 680kg, and an endurance rating of 1 million cycles.

Ordering Information

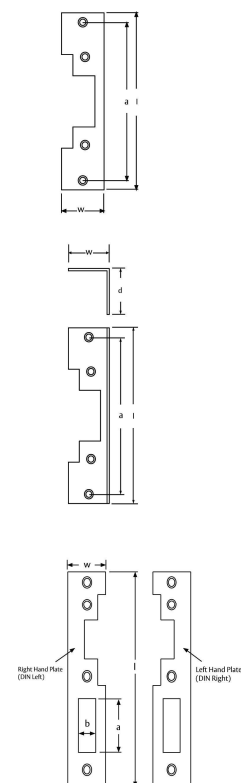
Code	Description
110111-060	TRIMEC ES111 12VDC FAIL UNLOCKED SHORT FACEPLATE - WR IP56
110111-150	TRIMEC ES111-00-WR-THAS
110111-160	TRIMEC ES111 12VDC FAIL UNLOCKED LONG FACEPLATE - WR IP56
110111-190	TRIMEC ES111 12VDC FAIL UNLOCKED SHORT FACEPLATE - LIPLESS
110112-060	TRIMEC ES112 12VDC FAIL LOCKED SHORT FACEPLATE - WR IP56
110112-140	TRIMEC ES112 12VDC FAIL LOCKED LONG FACEPLATE
110113-060	TRIMEC ES113 24VDC FAIL UNLOCKED SHORT FACEPLATE - WR IP56
110113-140	TRIMEC ES113 24VDC FAIL UNLOCKED LONG FACEPLATE
110114-060	TRIMEC ES114-WR-TABS
220200-518	TRIMEC ES100/110 MOUNTING KIT
220110-502	TRIMEC ES110 15MM EXTENSION LIP
220110-503	TRIMEC ES110 25MM EXTENSION LIP
220110-504	TRIMEC ES110 50MM EXTENSION LIP
210100-523	TRIMEC PL-ES1-TJAA
210100-527	TRIMEC PL-ES1-TGAS
210100-528	TRIMEC PL-ES1-TFAS
210100-530	TRIMEC PL-ES1-TBBS
219100-532	TRIMEC ES100 UK SASH SS SMALL RIGHT
219100-534	TRIMEC ES100 UK SASH SS SMALL LEFT
219100-538	TRIMEC PL-ES1-TDAS EURO-DIN LH
219100-539	TRIMEC PL-ES1-TEAS EURO-DIN RH

ES1 Series

Faceplate Options & Accessories

General Description

Note: All face plates are sold separately



Ordering Information

Code	Description
220200-518	TRIMEC ES100/110 MOUNTING KIT
210100-527	TRIMEC PL-ES1-TGAS
210100-528	TRIMEC PL-ES1-TFAS
210100-530	TRIMEC PL-ES1-TBBS
219100-532	TRIMEC ES100 UK SASH SS SMALL RIGHT
219100-534	TRIMEC ES100 UK SASH SS SMALL LEFT
219100-538	TRIMEC PL-ES1-TDAS EURO-DIN LH
219100-539	TRIMEC PL-ES1-TEAS EURO-DIN RH
210100-527	TRIMEC PL-ES1-TGAS
210100-523	TRIMEC PL-ES1-TJAA
210100-528	TRIMEC PL-ES1-TFAS
210100-530	TRIMEC PL-ES1-TBBS
210100-538	TRIMEC PL-ES1-TAAS
219100-532	TRIMEC ES100 UK SASH SS SMALL RIGHT
219100-534	TRIMEC ES100 UK SASH SS SMALL LEFT
220110-503	TRIMEC ES110 25MM EXTENSION LIP
220110-504	TRIMEC ES110 50MM EXTENSION LIP
200110-100	TRIMEC ES110 PINS-SPRING KIT X5 -200110-110 WR PINS SUPPLIED
220200-505	TRIMEC 25MM EXTENSION LIP FOR ES2000/ES2100/ES9000