

Electromechanical gate solution offers one ton of holding power



MAGNACARE WARRANTY



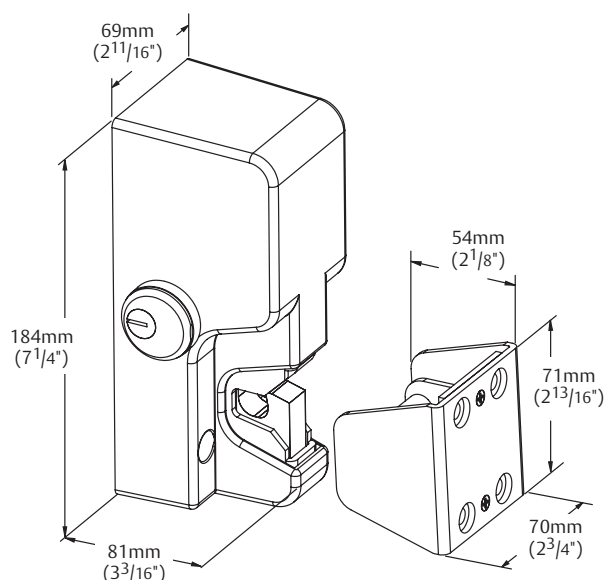
DUAL VOLTAGE

The heavy duty GL1 Electromechanical Gate Lock provides weather-resistant access control for a wide range of gate applications.

The GL1 provides 907 kg (2,000 lbs) of holding force for electrical and manually operated indoor or outdoor gates where preload is a concern. Ideal for swinging or sliding vehicle, pedestrian, or stock gate access control.

Product features

- Operates under preload up to 45kg (100 lbs)
- Automatic dual-voltage – no field adjustment required
- Accepts a standard mortice cylinder with Adams Rite MS cam for manual key override (not included, see spacer guide below)
- Self-aligning receiver (+/- 12mm (1/2") horizontally) helps compensate for gate misalignment and sag
- Tamper resistant cast housing
- Optional latch status monitor
- Surface mount
- MagnaCare® lifetime replacement, no fault warranty



Technical details

Holding force

907kg (2,000 lbs)

Dimensions

(LxWxD) 70 x 184 x 81mm
2³/₄" x 7¹/₄" x 3³/₁₆"

Electrical

12 Volts initial (peak): (~1.0 sec.) at 870 mA -
Reduced: 290 mA

Power Consumption: 3.5 Watts

24 Volts initial (peak): (~1.0 sec.) at 720 mA -
Reduced: 170 mA

Power Consumption: 4.1 Watts

Operating temperature

-50 to +75°C (-58 to +167F)

Indoor or outdoor use

Shipping weight

2.72kg (6 lbs)

Finishes

Black finish