

DS-1619ZJ-H

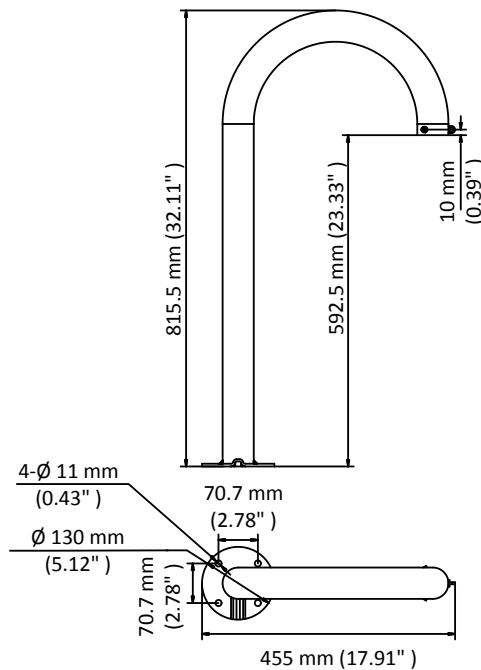
Gooseneck Mount



Feature

- Stainless steel with surface spay treatment
- Convenient installation
- Cable hole design facilitates cable routing

Dimension



Available Model

DS-1619ZJ-H

Parameter

Model	DS-1619ZJ-H
Parameters	Gooseneck Mount
Appearance	Hikvision White
Material	Stainless Steel
Dimension	455 mm × 130 mm × 815.5 mm (17.91" × 5.12" × 32.11")
Weight	6480 g (14.29 lb.)

Note

- Waterproof rubber is necessary for the outdoor application.
- The wall must be capable of supporting at least 3 times as much as the total weight of the camera, and the mount.
- The mount's maximum load capacity is 20 kg (44 lb.).