

Conduit Box

This mount is a light-duty wall mount designed for use with enclosure.

Product Features

- Surface Mount
- Die cast and aluminum
- Maximum load 11 lbs
- Easy and safe to install

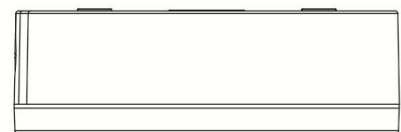
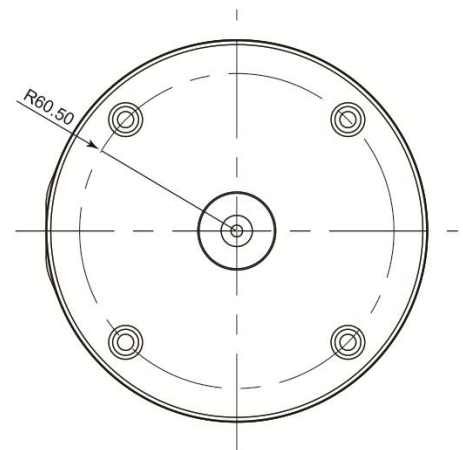
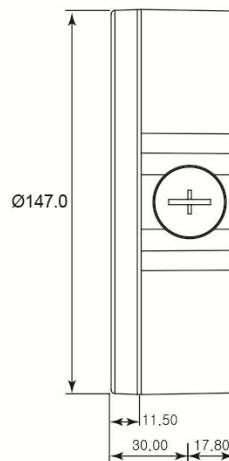
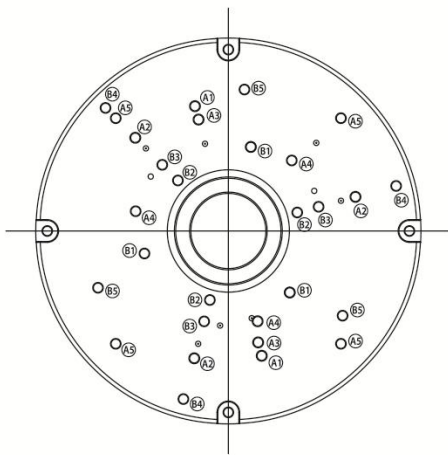
Specifications

Enclosure Mounting	Machine screw (supplied)
Construction	Die cast and aluminum
Finish	Polyester
Maximum Load	11 lbs
Inlet Dimension	PT 3/4
Dimensions	See dimensional outline
Weight	1.45 lbs



Dimensions

unit: mm



Hole	Diameter	Mount Point	Screw Spec
A1	98.0	2	M4x10 / BH
A2	100.0	3	M4x10 / BH
A3	87.5	2	M4x10 / BH
A4	71.0	3	M4x10 / BH
A5	121.0	4	M4x10 / BH
B1	66.0	3	M4x10 / BH
B2	54.2	3	M4x10 / BH
B3	72.0	3	M4x10 / BH
B4	132.0	3	M4x10 / BH
B5	108.0	3	M4x10 / BH