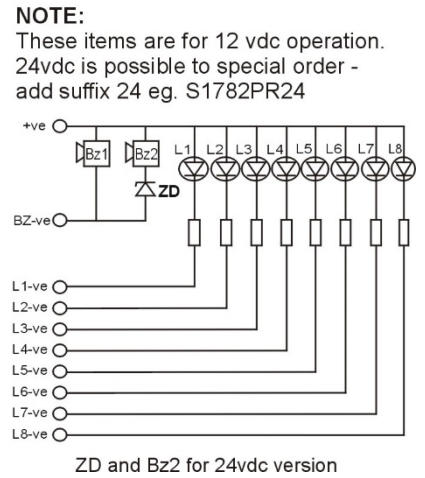
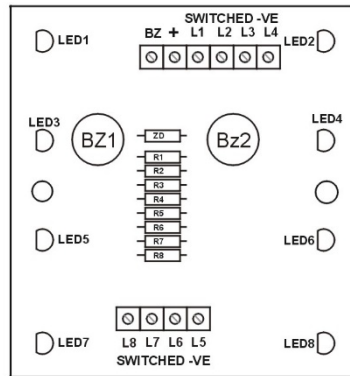
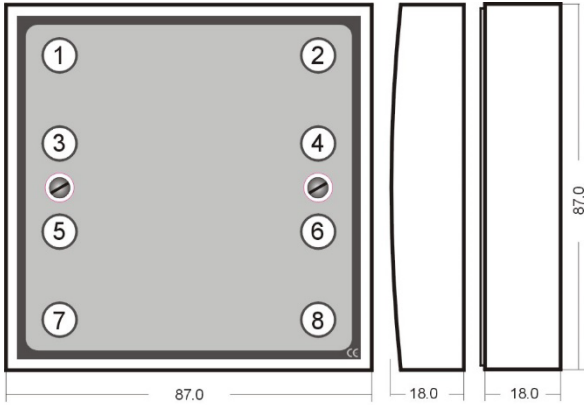


# Single Gang 8 Led Indicator with Integral Sounder

This instruction covers the following products: S1782PR, S1782PG, S1782PY and S1782PGR .

The S1782PGR is supplied with blank insert and window label. Supplied with a back box and can be semi flush mount onto single gang galvanised back box (not supplied).



## Labelling templates for S1782P

