

Single Gang High Power Sounder/LEDs

This instruction covers the following products:

S1788P (R, G or Y) High power sounders with 8 high brightness LEDs in either Red, Green or Yellow. The sounder and LEDs can be driven separately if necessary.

There are four programmable tones and flash rates that can be setup on installation using on board jumpers to suit local circumstances.

All are supplied with a back box for surface mounting, can be semi flush mount onto single gang galvanised back box (not supplied)

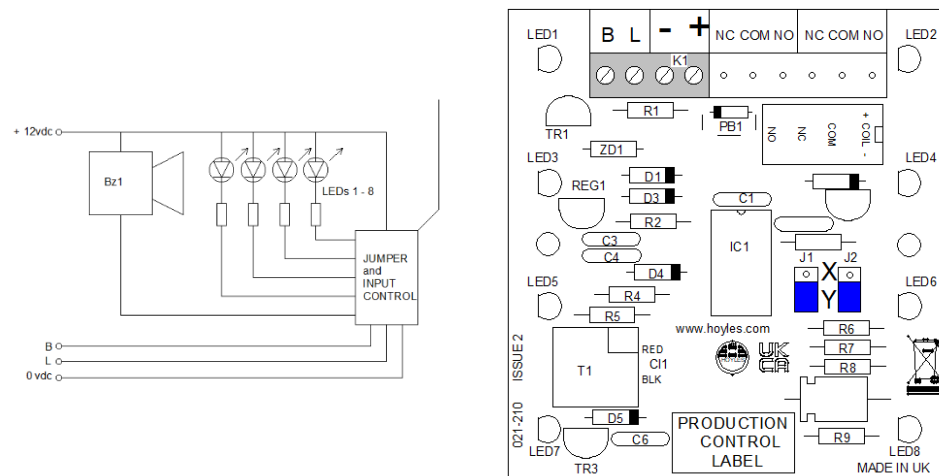
The sounder tones are configured by jumpers J1 and J2 as follows:

Jumpers	Sounder	LEDs
J1at X, J2 at X	High pitch fast warble	Fast strobe
J1at X, J2 at Y	High pitch fast pulse	Fast pulsed
J1at Y, J2 at Y	High pitch slow warble	Slow strobe
J1at Y, J2 at X	Low pitch slow pulse	Slow pulse

Link B and L to -ve and apply 12vdc to activate both sounder and LEDs

Link B to -ve and apply 12vdc to activate just the sounder

Link L to -ve and apply 12vdc to activate just the LEDs



Single Gang High Power Sounder/LEDs

This instruction covers the following products:

S1788P (R, G or Y) High power sounders with 8 high brightness LEDs in either Red, Green or Yellow. The sounder and LEDs can be driven separately if necessary.

There are four programmable tones and flash rates that can be setup on installation using on board jumpers to suit local circumstances.

All are supplied with a back box for surface mounting, can be semi flush mount onto single gang galvanised back box (not supplied)

The sounder tones are configured by jumpers J1 and J2 as follows:

Jumpers	Sounder	LEDs
J1at X, J2 at X	High pitch fast warble	Fast strobe
J1at X, J2 at Y	High pitch fast pulse	Fast pulsed
J1at Y, J2 at Y	High pitch slow warble	Slow strobe
J1at Y, J2 at X	Low pitch slow pulse	Slow pulse

Link B and L to -ve and apply 12vdc to activate both sounder and LEDs

Link B to -ve and apply 12vdc to activate just the sounder

Link L to -ve and apply 12vdc to activate just the LEDs

