

Traditional Cylinders

2X19 / 2X48 / 2X44 / 2X28 / 2X71

Euro Profile Key & Turn



Application:

- For use with euro profile lock cases

Specification:

- Turn either key or turn to lock or unlock
- Choice of 5 different cylinder turns
 - 2X19 - Round turn
 - 2X48 - Wave turn
 - 2X44 - Large turn
 - 2X28 - Diamond turn
 - 2X71 - Signature turn
- Extensive differs, available in 5 or 6 pin
- May be supplied to differ, keyed alike or keyed to pass
- May be supplied master keyed
- Construction keying, clutch release and classroom functionality available
- Can be keyed with other cylinder products such as padlock, outside locking devices and cabinet locks, which use the same key section
- For master key information please see separate page or check with your UNION area manager
- Supplied with 3 steel nickel plated keys as standard
- Master keyed products supplied with nickel silver keys
- Please advise when ordering if the cylinder is for use with an outside access device
- Please check cylinder compatibility when specifying non UNION lock cases
- Key Blank Number: KB502
- Available in SC, PL and CH finishes



Standards:

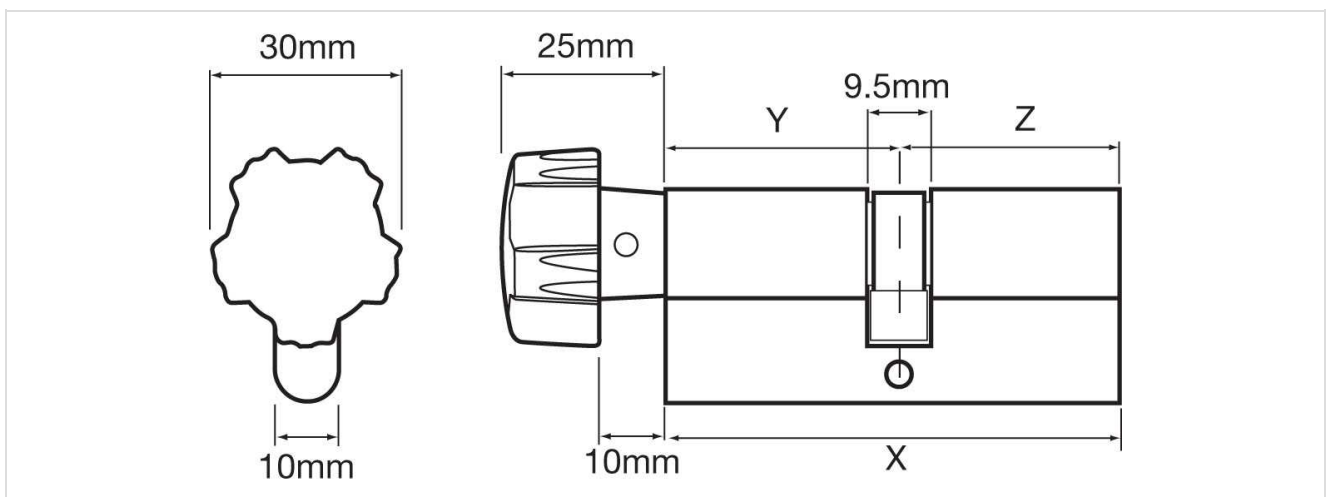
- Large flat turn (2X44) facilitates easy access and assists in fulfilling duties required under the Equality Act (EA)
- EN 1634-1:2000 assessed for use on 60 minutes timber fire doors



Finish:

- SC - Satin Chrome
- PL - Polished Chrome
- CH - Polished Chrome

Technical Design:



Traditional Cylinders

2X19 / 2X48 / 2X44 / 2X28 / 2X71

Euro Profile Key & Turn



ASSA ABLOY