

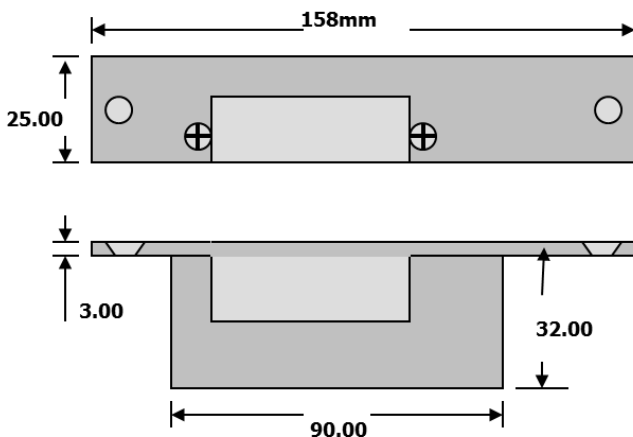
M1SAF(B) Mortice release, fail safe



Euro style electric release, supplied with long face plate. This fail safe version is suitable for use with dc current only. Recommended for low security internal use.

Features

- Fail safe
- Mortice installation
- Fixed jaw (adjustable jaw available on request)
- Rim option available on request
- 24Vdc option available on request



Technical Information

- Voltage: 12Vdc
- Current draw: 280mA
- Fail safe (= apply power to lock)