

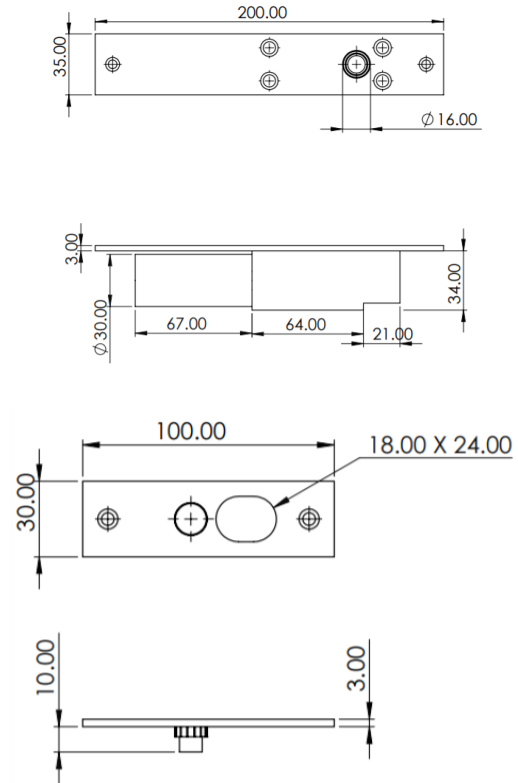


SOLENOID BOLT

DROP BOLT



SB-200LS



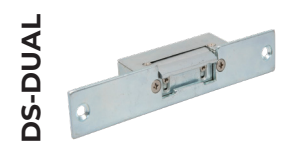
SPECIFICATION	FEATURES	OTHER PRODUCTS
---------------	----------	----------------

SB-200LS

- Operating voltage: 12VDC
- Standby current: 250mA
- Operating current: 650mA
- Power to lock
- Holding force 1300lb / 600kg

SB-200LS

- Fail-safe operation
- Delay timer (0/3/6/9) seconds
- Locking by detector plate
- Monitored output for door status (NO pair)
- Suitable for wooden doors
- Concealed when fitted flush



DIMENSIONS

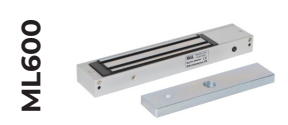
SB200-LS

- 200x35x38 (mm)
- 752g (Boxed)
- 566g (Unboxed)

CONTENTS

SB200-LS

- Solenoid Bolt
- Strike Plate
- Screws



Manufactured by a BSIA Member