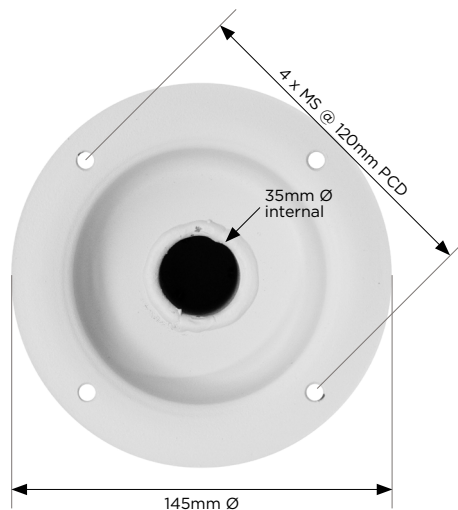
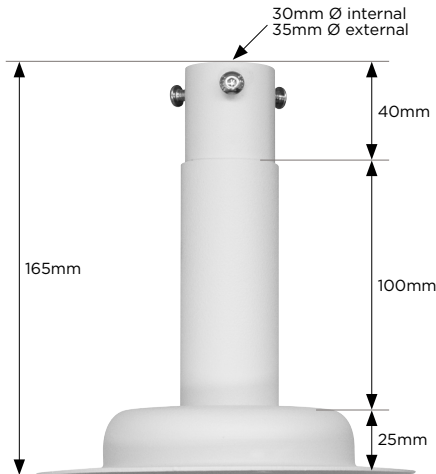


VPL-IPMAW

POLE MOUNT ADAPTOR FOR DOME CAMERAS



TECHNICAL SPECIFICATION

Model	VPL-IPMAW
Construction	Mild steel
Base plate or Wall mount plate	Pole connection - 30mm internal and 35mm external diameter
Camera base	Vista proprietary 4 x M5 @ 120mm (121.4mm) PCD
Environment	Internal use
Finish	Powder coat
Colour	White
Weight (net)	0.60Kg
Weight (gross)	0.60Kg

MODELS IN THIS RANGE

0718900 VPL-IPMAW

OPTIONS FOR USE WITH BRACKET

0476070 VDM-IPMCA(VW)

Ceiling adaptor, Vista White

0476080 VDM-IPMGA(VW)

Girder adaptor, Vista White

0476060 VDM-2MP (VW)

2m pole, Vista White

COMPATIBLE CAMERAS

0473530 VK2-1080VRD

0690110 VK2-1080XVRDPTZ

0471740 VK2-2MPVRD

0338500 VK2-2MPXVRDIR28V12M

0338520 VK2-2MPXVRDIR37

0308050 VK2-4MPXVRDIR28V12M

0471750 VK2-540VRD

0473230 VK2-600PTZ

0771370 VK2-HD20-SM

0718850 VK2-HD20-SMW

0392820 VK2-HDX23IR-SMW

0815610 VP-HDA20-SMe

0718820 VP-HDA20-SMW

0474550 VPL7-WP-SM

0815590 VVRD28V12MHD AIRSW

0815580 VVRD28V12MHD AIRW

0815570 VVRD28V12MHD AW

0497240 VVRDE4V9CM-700

0497250 VVRDE4V9DN-700

0497260 VVRDE4V9DNLED-700

VVRD RANGE

VPL5, VPL6 and VPL7 ranges

VK2-VRD RANGE



TEL
+44 (0) 118 912 5000

