

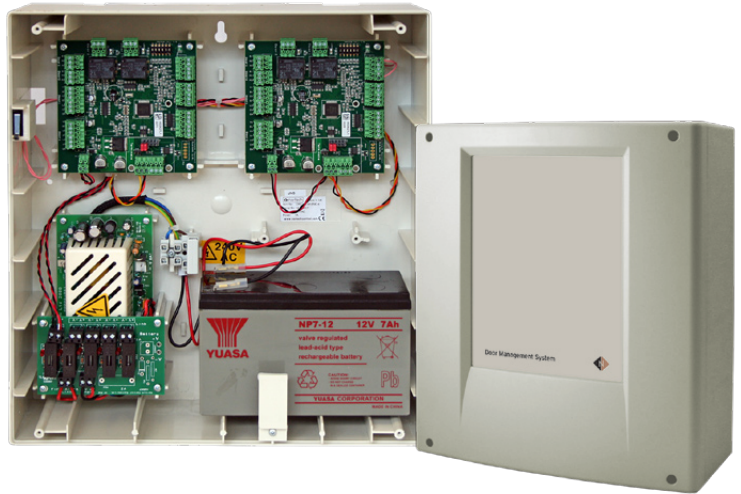
CRC22x Family of Online Door Controllers

Product Description

The CRC22x controller family is part of an access management system linked to Norpass3 Access Control Management Software that can control access points such as doors and vehicle barriers by validating credentials such as cards, key fobs and vehicle tags.

Supporting a comprehensive range of Clock & Data and Wiegand interface formats, each CRC22x module can control access through one or two doors/barriers while supporting a wide range of managed access control features. Several enclosure options are available with up to four reader interfaces per enclosure plus an integral power supply unit.

Users can configure and manage all controllers remotely from Norpass3. Once in service, updates to the system such as card validity are automatically updated via the network connection. Records of all events taking place at the reader inputs are passed to Norpass3 over the network connection as they occur. The network interface to Norpass3 can be either RS485 or TCP/IP.



Features

- ▶ 2 reader interfaces per module.
- ▶ CRC220 module controls 1 or 2 doors.
- ▶ Combined Card & PIN security option
- ▶ 'Buddy Mode' option (any 2 valid cards required for access)
- ▶ Supports both Wiegand and Clock & Data formats
- ▶ Door monitor input and door alarm output for each door
- ▶ Card capture/auxiliary output for each reader
- ▶ Free exit input for each door
- ▶ Tamper switch input and tamper alarm output
- ▶ Fire alarm input for unlocking all doors in an emergency
- ▶ RS485 or TCP/IP network connection options

Enclosure

- ▶ Integral 12V DC, 3A power supply
- ▶ Four individually fused 12V DC outputs for powering locking devices. These can be linked to a fire alarm so that it can directly release the connected locking devices in an emergency.
- ▶ Tamper switch

Specifications

Electrical

Supply Voltage:	Enclosures: 240V AC, PCB: 12V DC
Current draw:	100 mA quiescent, 230 mA while reading (both readers)
Reader supply:	5V DC or 12V DC (100 mA max.)

Physical

Local settings:	DIP switches for setting node identity
Dimensions (mm):	PCB: 115 x 120 x 35 (H x W x D) Plastic enclosure: 325 x 300 x 135 (H x W x D) Metal enclosure: 330 x 300 x 105 (H x W x D)
Cable Termination:	Plug-in Screw terminal blocks

Environmental

Temperature:	Operating: 0°C to 40°C, Storage: -20°C to 70°C
Relative humidity:	95% non-condensing

Capacity

Cards:	65,000 sequential or 8,000 random
Events:	1400 held in non-volatile memory

Data Communication

Mgmt Interface:	RS485 or TCP/IP
-----------------	-----------------

Inputs

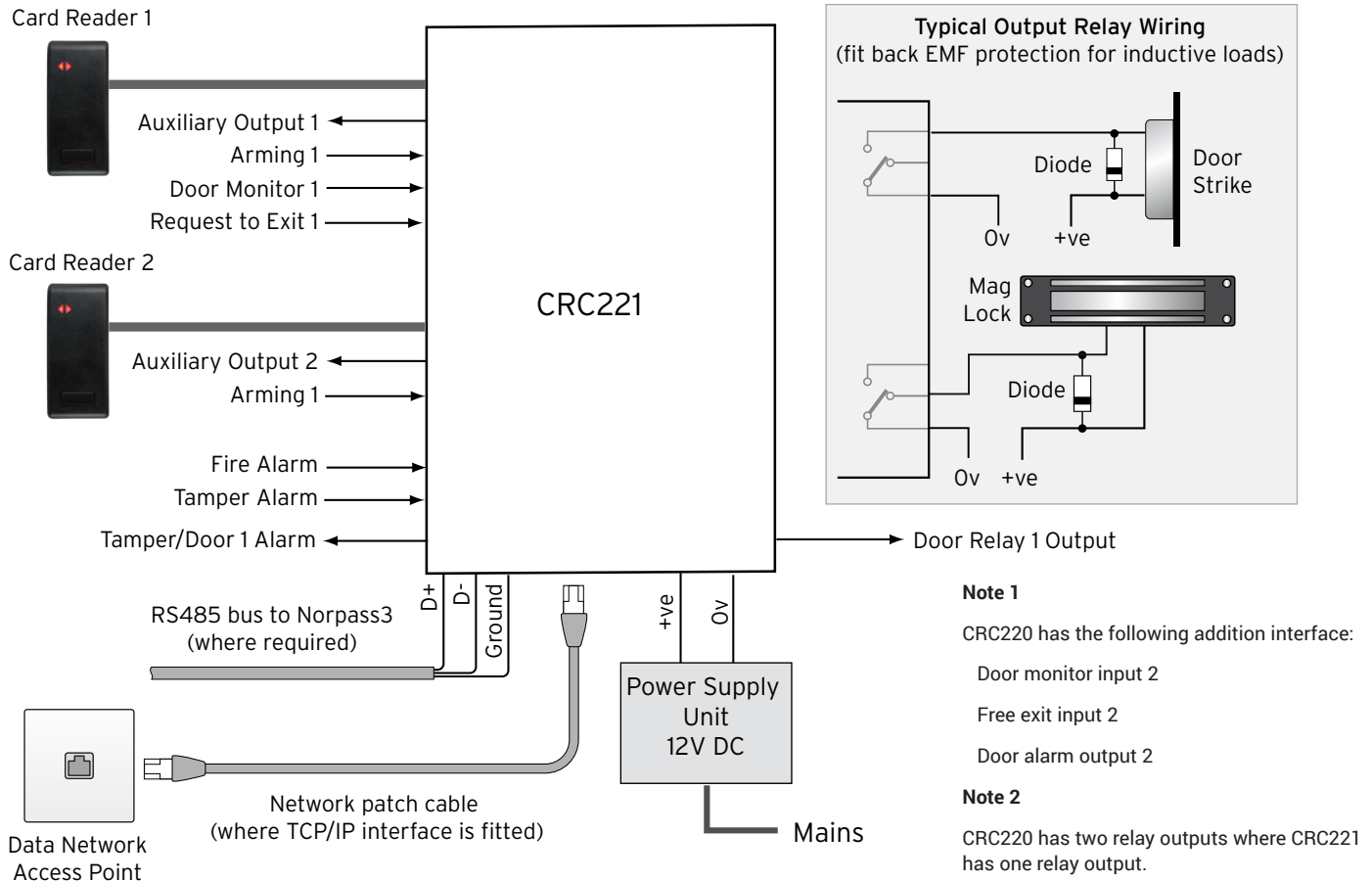
Readers:	2 x 5-wire interfaces for C&D (ABA Track 2) & Wiegand formats
Arming:	2 independent, ground activated inputs. Open-circuit arming
Door Open Monitor:	Ground activated input for monitoring door open status. CRC220: 2 independent inputs, CRC221: 1 input
Request to Exit:	Ground activated input. CRC220: 2 independent inputs, CRC221: 1 input
Tamper:	Ground activated input from tamper switch on housing (where applicable).
Fire Alarm:	Ground activated input from fire alarm relay.

Outputs

Lock Control:	2 independent relays (1 relay in CRC221) with change-over contacts rated at 2A @ 30V DC.
Auxiliary output:	2 independent open-collector outputs for auxiliary control such as card capture.
Tamper Alarm:	Open-collector output (300mA), activated when tamper alarm is active.
Door Alarms:	Door 1 alarm is shared with the tamper alarm output. On CR220, door 2 alarm output is a separate open-collector output (300mA).

CRC22x Family of Online Door Controllers

Connection Details



Ordering Information

CRC221-48-ENC-1	1 Door Read In/Read Out RS485 Access Controller with 3A 12V PSU in Plastic Enclosure.	CRC220-48-ENC-4	4 Door Read In/Free Exit RS485 Access Controller with 3A 12V PSU in Plastic Enclosure.
CRC221-48-ENC-2	2 Door Read In/Read Out RS485 Access Controller with 3A 12V PSU in Plastic Enclosure.	CRC220-48-MET-2	2 Door Read In/Free Exit RS485 Access Controller with 3A 12V PSU in Metal Enclosure.
CRC221-48-MET-1	1 Door Read In/Read Out RS485 Access Controller with 3A 12V PSU in Metal Enclosure.	CRC220-48-MET-4	4 Door Read In/Free Exit RS485 Access Controller with 3A 12V PSU in Metal Enclosure.
CRC221-48-MET-2	2 Door Read In/Read Out RS485 Access Controller with 3A 12V PSU in Metal Enclosure.	TCP/IP-220	Upgrade TCP/IP Interface Module for Fitting to CRC220 or CRC221. Allows up to 32 Controllers linked over an RS485 Network to be controlled via a TCP/IP port.
CRC220-48-ENC-2	2 Door Read In/Free Exit RS485 Access Controller with 3A 12V PSU in Plastic Enclosure.		