

## CRC200+ Card Reader Controller

### Product Description

The CRC200+ is a standalone 2-reader controller suitable for controlling doors, barriers, rising bollards, turnstiles, etc., by validating cards, key fobs, vehicle tags, PINs, etc. presented via 1 or 2 reader interfaces.

The CRC200+ can form part of an access management system by linking it to Norpass3 Access Control Management Software together with further reader controllers.

This versatile controller can manage up to 65,000 users and supports both Clock & Data and Wiegand interface formats. It can be used to control access via 2 doors/barriers and provide local anti-passback control. It supports a range of both standalone and managed access control features.

The controller can be used for either sequential or random cards and offers a range of additional features such as 'PIN and Prox' when used online to Norpass3.



### Specifications

#### Electrical

Supply Voltage:	12 - 24V DC
Current Reqmt:	100 mA quiescent, 230 mA while reading (both readers)
Reader Supply:	5V DC (100mA max.) or supply voltage

#### Physical

Display:	2 lines x 16 character LCD
Keypad:	12 button membrane. Keys 0 to 9 plus 'Program' and 'Enter'
Dimensions (mm):	190 x 130 x 43 (H x W x D)
Cable Termination:	Plug-in screw terminal blocks
Environmental	
Operating Temp.:	0°C to 40°C
Storage Temp.:	-20°C to 70°C
Relative Humidity:	95% non-condensing
Capacity:	Sequential Mode: 65,000 sequential card numbers (0 - 19,999), 1,700 events Random Mode: 8,000 random card numbers, 1,300 events

#### Inputs

Readers:	2 x 5-wire reader interfaces for Clock & Data (ABA Track 2) & Wiegand formats
Arming:	2 independent, ground activated inputs. Open-circuit arming.
Door Open Monitor:	2 independent, ground activated inputs. Monitor door open status for system alarm reporting.
Request to Exit:	2 independent, ground activated inputs, each operating the associated latch relay.
Tamper Input:	Ground activate input - open circuit is alarm condition (online operation).

#### Outputs

Latch Relays:	2 independent latch relays with change-over contacts rated at 2A at 30V DC.
Auxiliary Output:	2 independent open-collector outputs for auxiliary control such as card capture.
Door Alarm:	2 independent open-collector outputs used to indicate a door alarm condition. Door 1 alarm doubles up as a tamper alarm output. (online operation).
Assignable Output:	Open-collector output controlled from Norpass3 in online operation.

#### Data Communication

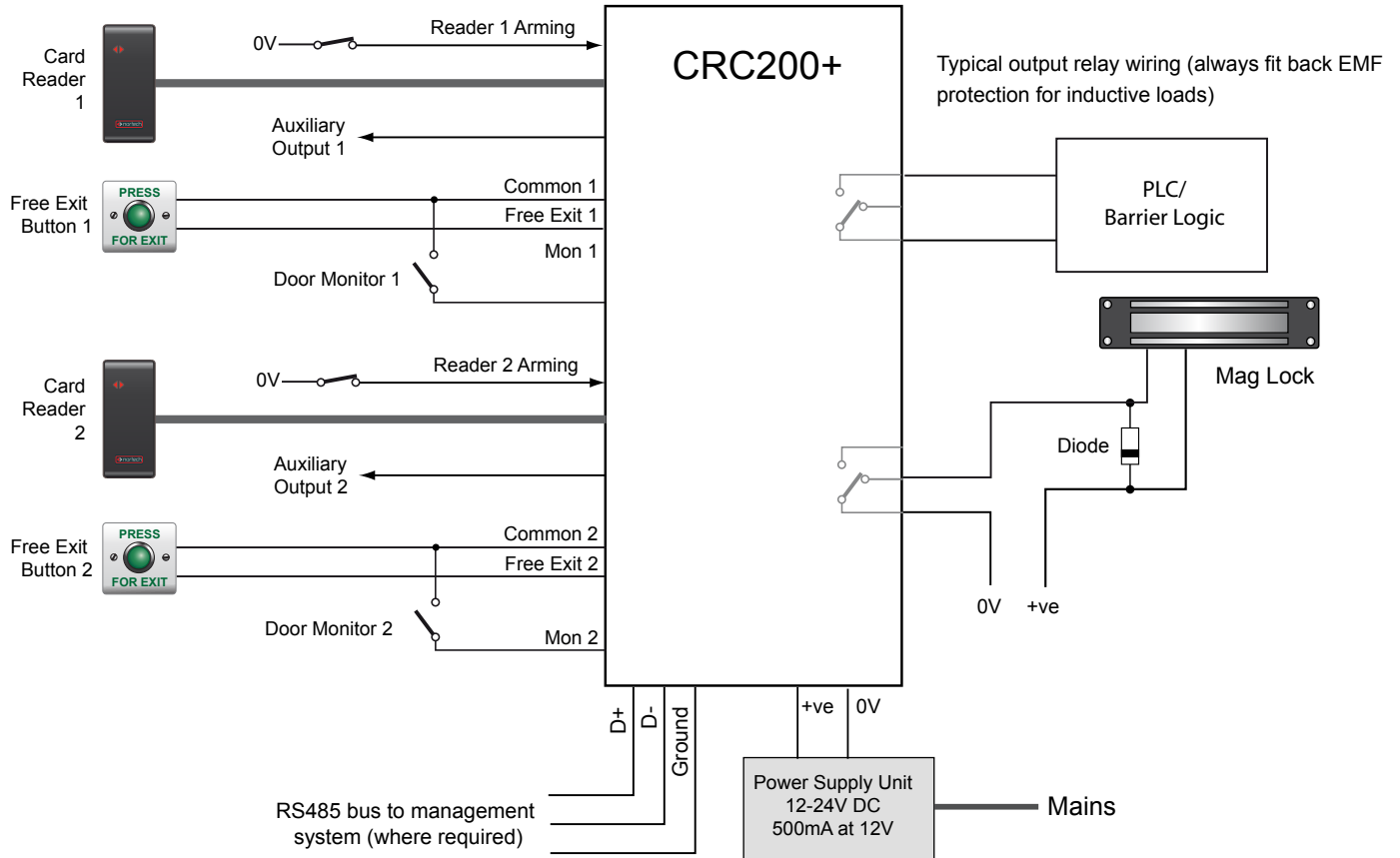
Management I/F:	RS485 (up to 32 controllers per control port)
-----------------	---

#### Cabling

CRC200 to reader:	Belden 9536 or equivalent (6-core, 24 AWG stranded, overall foil shield) - 100m maximum length
RS485 comm's:	Belden 9729 or equivalent ( 2-pair, 24 AWG stranded, twisted Pairs, individually foil shielded) - 1,200m maximum overall length

## CRC200+ Card Reader Controller

### Connection Details



### Supported Readers/Input Devices

MP1	Mullion mount reader - 125kHz, Mifare & LEGIC	RH300	Magnetic stripe card reader
WP1	Wall switch reader - 125kHz, Mifare & LEGIC	MRC350	Card capture reader
SP1	Slimline reader - 125kHz	9990410	TRANSIT long range reader
VP1	Vandal-resistant reader - 125kHz	9942319	uPASS Reach long range reader
PP1	Panel-mount reader - 125kHz	9958240	uPASS Access hands free access control reader
WP2	Flush mount vandal resistant - 125kHz	KPW26	Keypad with Wiegand Output

### Alternative Products

CRC100	Standalone single reader controller	NanoQuest	Standalone proximity card reader and controller for up to 600 ISO1443 type cards.
CRC220	Cost effective 2-reader controller for use in a Norpass3 managed network		

### Ordering Information

CRC200+	2-door card reader controller with capacity for 65,000 sequentially encoded cards or 8,000 random cards. RS485 connectivity.
---------	--