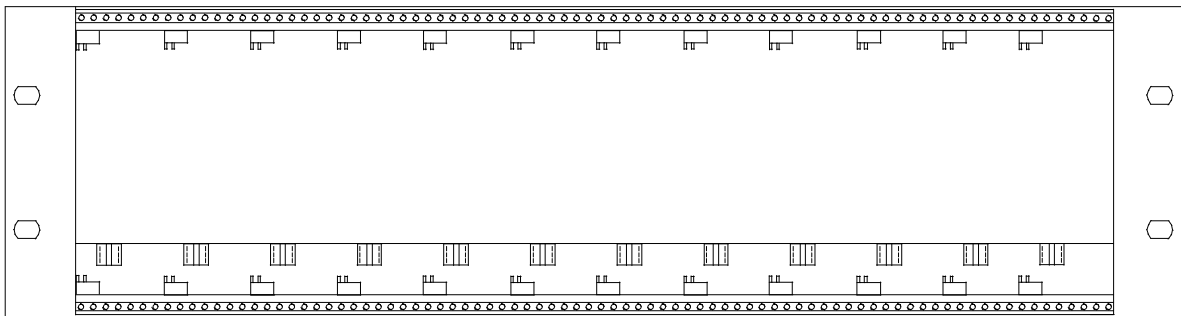
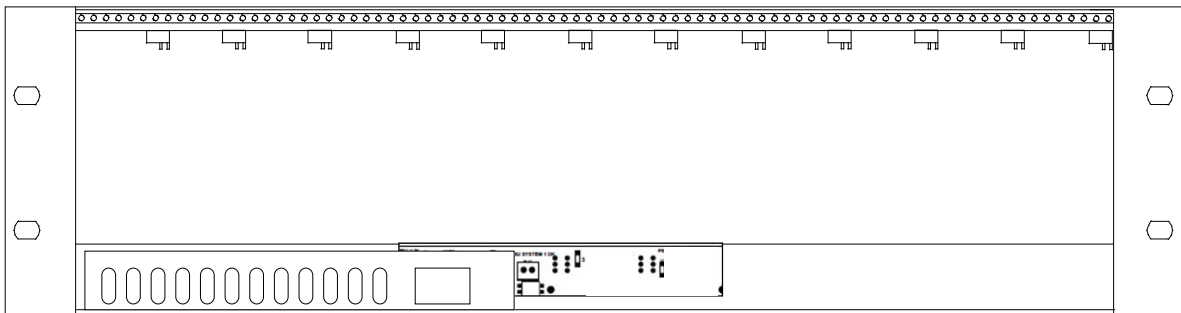


AMG2015 19" Subrack

Front View



Rear View



The **AMG2015** is a subrack for a standard 19" rack. It is designed to house rack-mount AMG3000-5000 series video transmission equipment.

The subrack incorporates a single +15Vdc, 100W power supply unit (PSU) connected to a distribution panel (Bus) which powers the plug-in AMG units.

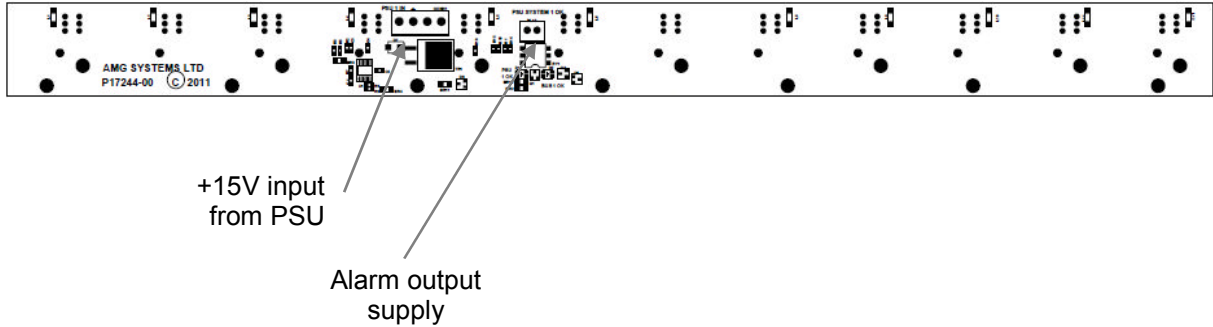
Rear panel mounted LEDs indicate the presence and status of the PSU and the DC output of the distribution panel. A solid-state relay with normally open (n/o) contacts provide external signals that indicates the status of the PSU and DC output in order to provide alarm information regarding failure of one or both.

Connections

Mains Power Input

Mains supply inlet 100-240Vac, 50/60Hz, 1.9A Max
 Connector C14 (IEC 60320-1). Mates with IEC C13 Plug

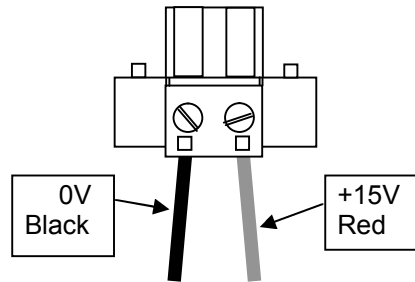
Distribution Panel Rear Layout



Distribution Panel DC input

DC input from PSU +15 Volts, 6.7 Amps.

Connector 2 way removable screw terminal 5mm pitch screw flange
 Phoenix Pt. No. 1786831, MSTB 2,5/2-STF



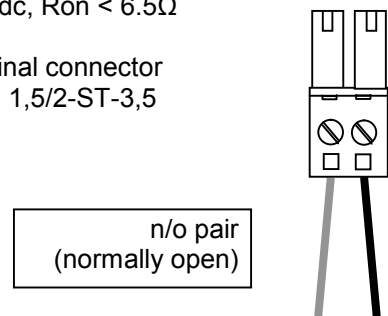
DC Bus output (12 off)

DC output..... +15 Volts, 1.0 Amp per plug-in card.
 Maximum combined output 6.7 Amps.

Alarm Outputs

Output..... Solid-state relay, n/o contacts***
 Maximum 150mA at 125Vac/dc, Ron < 6.5Ω

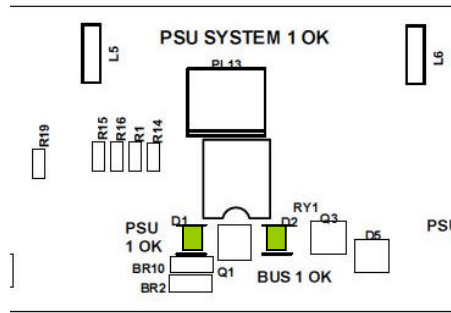
Connector 2 way removable screw terminal connector
 Phoenix Pt No. 1840366, MC 1,5/2-ST-3,5



Note *** : Normally Open (n/o) refers to the state when not powered

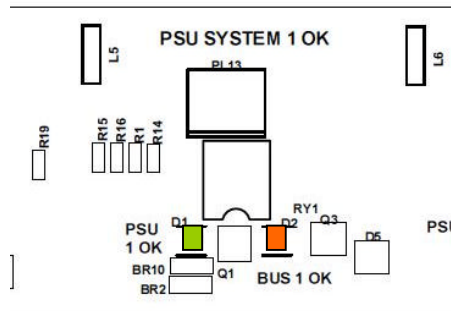
LED Indicators

The location of LED indicators is shown below, in normal operation. PSU 1, and SYSTEM 1 are fully functional and will maintain full power to the plug-in equipment.



PSU 1 OK.....	Green	- PSU output voltage correct +15Vdc
	Red	- PSU output voltage incorrect <+13V or >+17V
	Off	- PSU not present or no mains supply
SYSTEM 1 OK.....	Green	- SYSTEM output correct
	Red	- SYSTEM controller or PSU fault
	Off	- PSU not present or no mains supply

In this example, PSU 1 is fully functional but there is a (MOSFET) fault on SYSTEM 1. In this situation, there will be no power to the plug-in equipment.



SYSTEM Status LEDs

Detailed failure information is available by reviewing the status of both LEDs together as per the following table:

SYSTEM Status	PSU ok	SYSTEM ok	Alarm Output
SYSTEM healthy no fault	■	■	Closed
SYSTEM (Controller) fault	■	■	Open
SYSTEM (MOSFET) fault	■	■	Open
PSU Voltage out of range <+13V or >+17V	■	■	Open
PSU Mains supply not present	■	■	Open

Alarm Output

The Alarm Output for the SYSTEM will only be set to Closed (contacts) when the DC PSU is present and is the correct voltage and there is no other SYSTEM fault condition.

Physical Information

Dimensions

Height3U Plug-in
Width..... 19" with rackmount ears
Depth300mm
Weight.....2950grams

Mounting Details

The unit is designed to be mounted within a standard 19" rack. Care should be taken with regard to air circulation when populated, taking into account the total heat dissipation of the equipment installed. An air circulation gap above and below the subrack is recommended particularly when populated to full power capacity.

Safety

The AMG2015 provides a low voltage (+15V) DC supply. Only AMG equipment should be plugged into the subrack.

Maintenance and Repair

There are no user serviceable parts within the AMG2015 subrack.

In case of problem or failure contact your local support centre or AMG Systems Ltd, Technical Support Department on tel. +44 (0) 1767 600777.