



# ADJUSTABLE L BRACKET

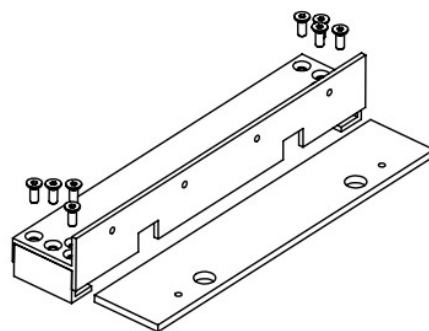
**MAGNETIC LOCK**

Fire tested range of maglocks and brackets from a market leader in access control.

**FIRE TESTED** to  
BSEN1634-1-2014 & BS476:Part22:1987  
(30, 60, 90 & 120 min timber door-sets)



**ADJ-600L**  
**ADJ-1200L**



## SPECIFICATION

ADJ-600L/ADJ-1200L

- Available for ML600 and ML1200 range
- Allows infinite adjustment and positioning
- Very easy to fit and drastically reduces the installation time
- Simple to adjust magnet position
- No fixings required into the underside of transom
- Incorporates a cavity and cut out to make cabling easier
- Comes completely assembled

## FEATURES

ADJ-600L/ADJ-1200L

- Bracket to fix the transom
- 2 end guide channels for the plate to slide between
- Flat bar sliding plate to fix the magnet to

## OTHER PRODUCTS

**AB600CL**



**KPX1000**



## DIMENSIONS

ADJ-600L

- 295x60x32/57 mm
- 85g (Boxed) • 70g (Unboxed)

ADJ-1200L

- 318x60x32/57 mm
- 90g (Boxed) • 75g (Unboxed)

## CONTENTS

ADJ-600L/ADJ-1200L

- Bracket
- Extension Plate
- Fixing Kit

**ML600**



**DU-GB/PTE**



Manufactured by a BSIA Member