

# BRACKETS AND ADAPTERS FOR CAMERA HOUSINGS

## WBJA WALL MOUNT BRACKET

Made of aluminium  
Fully adjustable swivel head  
Load rating: 25kg (55lb)  
Height: 185mm (7.3in)  
Unit weight: 0.6kg (1.3lb)



WBJA

## WBMA WALL MOUNT BRACKET

Made of aluminium  
Fully adjustable swivel head  
Load rating: 25kg (55lb)  
Length: 204mm (8in)  
Unit weight: 0.5kg (1.1lb)



WBMA

## WBOVA2 WALL MOUNT BRACKET

Made of aluminium  
Fully adjustable swivel head  
Internal cable management  
Load rating: 25kg (55lb)  
Length: 204mm (8in)  
The sealing rings OWBIP2 or OWBIP3 ensure an IP66 protection to the housing  
Unit weight: 0.6kg (1.3lb)



WBOVA2

## WBOV3A2 WALL BRACKET WITH SUPPORT PLATE AND WEATHERPROOF JUNCTION BOX

Made of aluminium  
Internal cable management directly to the box  
Load rating: 25kg (55lb)  
Length: 204mm (8in)  
The sealing rings OWBIP2 or OWBIP3 ensure an IP66 protection to the housing  
Unit weight: 2.4kg (5.3lb)



WBOV3A2

## WBLA WALL BRACKET FOR HGV

Solid, anticorrosional aluminium construction  
Load rating: 70kg (154lb)  
Length: 457.5mm (18.7in)  
Unit weight: 6.6kg (14.5lb)



WBLA

## WCM3A CEILING MOUNT

Made of aluminium  
Fully adjustable swivel head  
Load rating: 15kg (33.5lb)  
Length: 300mm (11.8in)  
Unit weight: 1.8kg (4lb)



WCM3A

## WFWCA PARAPET BRACKET

Made of aluminium  
Fully adjustable swivel head  
Load rating: 15kg (33.5lb)  
Length: 185mm (7.3in)  
Available extension through WFWBTA  
Unit weight: 0.5kg (1.1lb)



WFWCA

### WCM4A2 CEILING MOUNT

Made of aluminium

Internal cable management

Load rating: 15kg (33.5lb)

Length: 412mm (16.2in)

500mm (19in) linear extension available with WCPMPA

Unit weight: 1.3kg (2.8lb)

### WCM5A CEILING MOUNT

Made of aluminium

Load rating: 15kg (33.5lb)

Length: 412mm (16.2in)

500mm (19in) linear extension available with WCPMPA

Unit weight: 1.4kg (3lb)

### WCPMPA LINEAR EXTENSION FOR WCM4A2 AND WCM5A

It allows a 500mm (19in) extension

Unit weight: 0.5kg (1.1lb)

### WCWA CORNER MOUNT ADAPTOR

Made of steel

Load rating: 30kg (66lb)

### WSFPA POLE MOUNT ADAPTOR

Made of aluminium

Allows the internal cable management

Load rating: 30kg (66lb)

For pole diameters: 65÷110mm (2.6÷4.3in)

Unit weight: 0.9kg

### PTCC1 POLE MOUNT ADAPTOR

Made of aluminium

For pole diameters: 80÷150mm (3÷5.9in)

Load rating: 50kg (110lb)

Unit weight: 2.6kg (5.7lb)

### DBHWGC POLE MOUNT ADAPTOR

Made of steel

For pole diameters: 210÷225mm (8.3÷8.6in)

Load rating: 25kg (55lb) (static load)

To be combined with the reinforcing support plate WCPA

Unit weight: 1.2kg (2.6lb)

### WCPA REINFORCING SUPPORT PLATE FOR POOR CONSISTENCY WALLS

Made of aluminium

Available with a supporting box with internal cable channel (WBOV3A2)

Load rating: 50kg (110lb)

Unit weight: 0.6kg (1.3lb)



WCM4A2

WCM5A



WCPMPA



WCWA



WSFPA



PTCC1



DBHWGC



WCPA



**COMPATIBILITY HOUSINGS/BRACKETS**

Bracket	Wall					Ceiling			Column
	WBLA	WBJA	WBMA	WBOVA2	WBOV3A2	WCM3A	WCM4A2	WCMSA	FWCA
<b>Length</b>	457mm (18in)	285mm (11in)	226mm (9in)	201mm (8in)	238mm (9.4in)	300mm (11.8in)	412mm (16.2in)	412mm (16.2in)	185mm (7.3in)
HOV	-	✓	-	✓	✓	✓	✓	✓	✓
HTV	-	✓	-	✓	✓	✓	✓	✓	✓
PUNTO	-	✓	-	✓	✓	✓	✓	✓	✓
VERSO COMPACT	-	✓	✓	✓	✓	✓	✓	✓	✓
VERSO	-	✓	-	✓	✓	✓	✓	✓	✓
HEK	-	-	✓	✓	✓	✓	✓	✓	✓
HEB	-	✓	✓	✓	✓	✓	✓	✓	✓
HEG	-	✓	-	-	-	-	-	✓	✓
HTG	-	✓	-	-	-	-	-	✓	✓
HGV	✓	-	-	-	-	-	-	-	-

**PACKAGE**

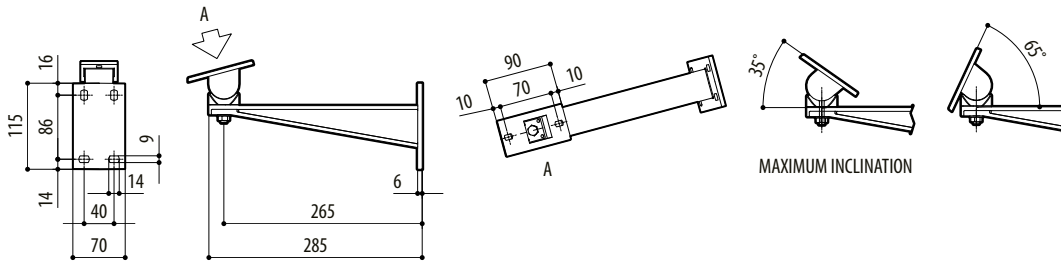
Model Number	Weight	Dimensions (WxHxL)	Master carton
WBJA	0.7kg (1,5lb)	7.5x12x31cm (3x5x12in)	20
WBMA	0.6kg (1.3lb)	7.5x12x23cm (3x4.7x9in)	25
WBOVA2	0.7kg (1,5lb)	8.5x13x22cm (3.3x5x9in)	25
WBOV3A2	2.5kg (5.5lb)	11x19x53cm (4.3x7.5x21in)	-
WBLA	7kg (15.4lb)	27x18x49cm (10.5x7x19in)	-
WCM3A	2.1kg (4.6lb)	13x32.5x27cm (5x13x11in)	12
FWCA	1kg (2.2lb)	14.5x15x27cm (6x6x11in)	15

**PACKAGE**

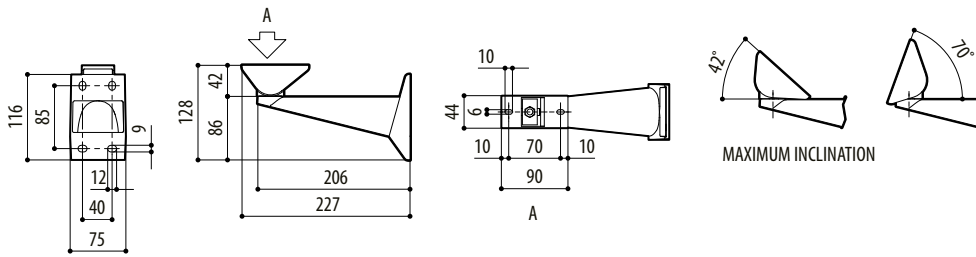
Model Number	Weight	Dimensions (WxHxL)	Master carton
WCM4A2	1.7kg (3.7lb)	10.5x37x37cm (4x14x14in)	6
WCMSA	1.7kg (3.7lb)	10.5x37x37cm (4x14x14in)	6
WCMPA	0.6kg (1.3lb)	6x6x58.5cm (2x2x23in)	-
WSFPA	1kg (2.2lb)	10x16x23cm (4x6x9in)	15
PTCC1	2.8kg (6.2lb)	14x25.5x20cm (5.5x10x7.9in)	8
DBHWGC	1.5kg (3.3lb)	24x15x22cm (9x6x9in)	10
WCWA	1.1kg (2.2lb)	14.5x15x27cm (6x6x11in)	15
WCPA	0.7kg (1,5lb)	10x16x23cm (4x6x9in)	30

# TECHNICAL DRAWINGS

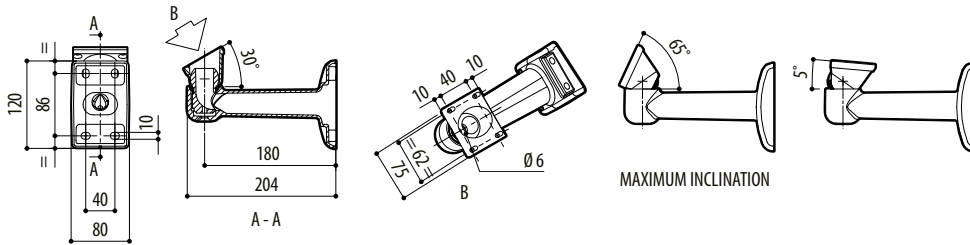
Sizes in millimeters.



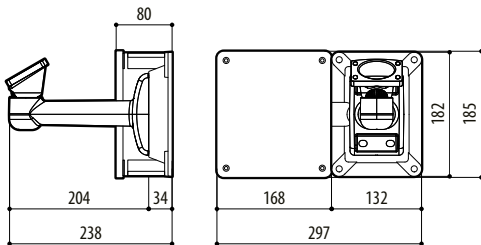
WBJA



WBMA

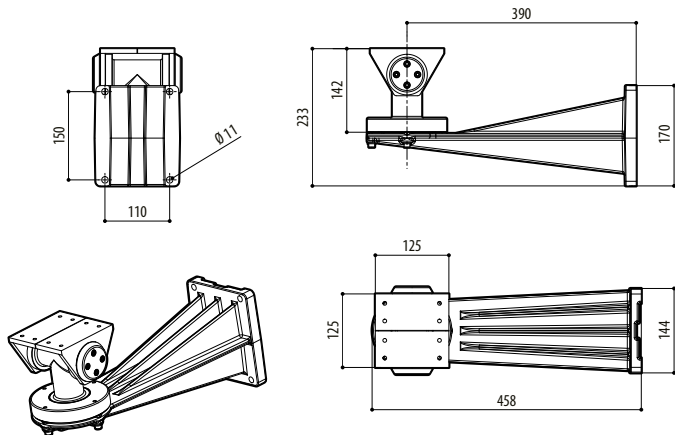


WBOVA2

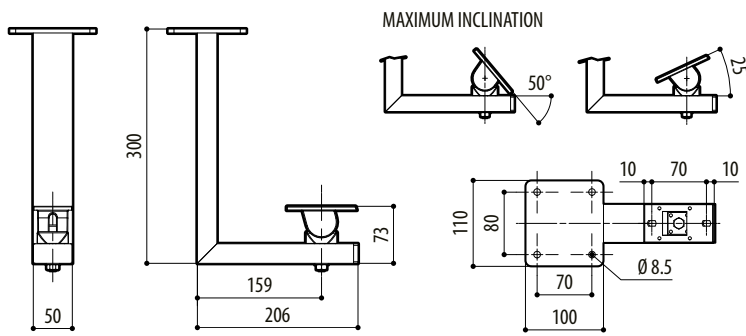


WBOV3A2

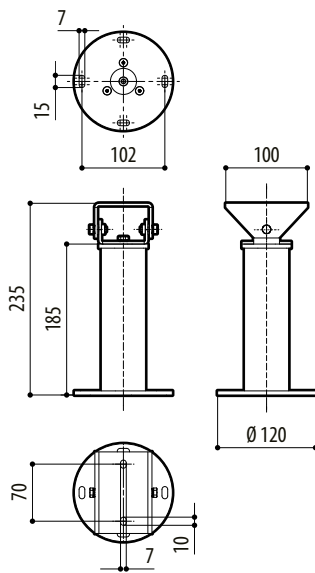
Sizes in millimeters.



WBLA

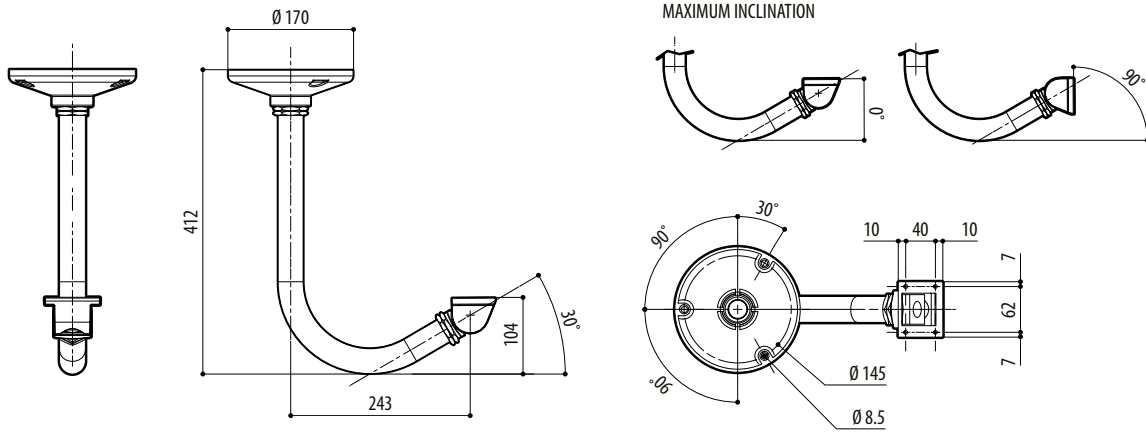


WCM3A

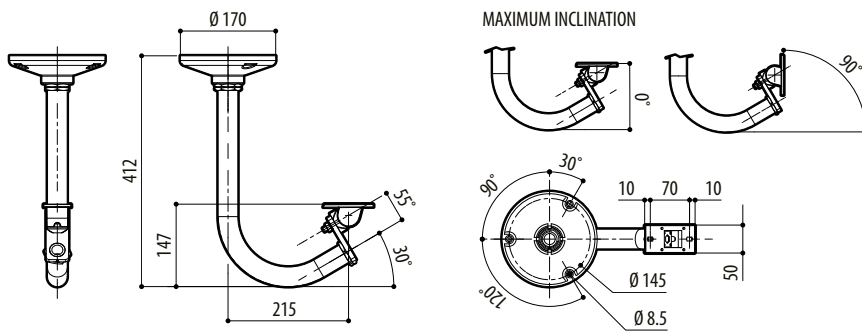


WFWCA

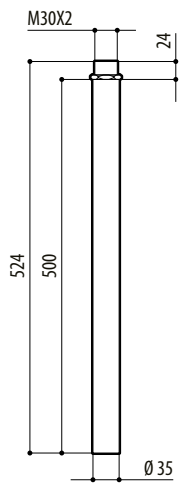
Sizes in millimeters.



WCM4A2

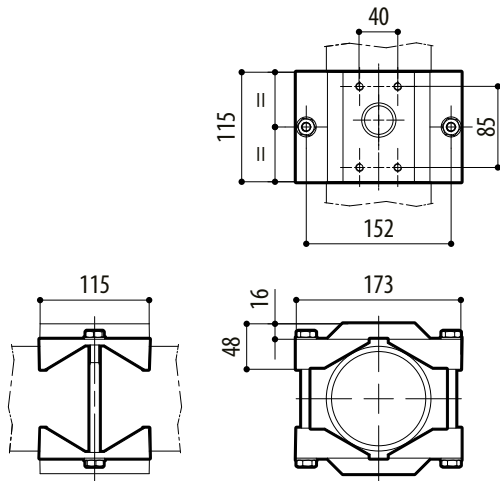


WCM5A

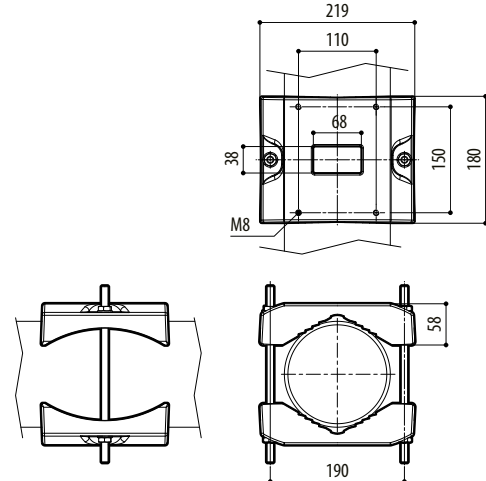


WCMPA

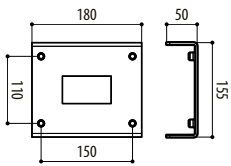
Sizes in millimeters.



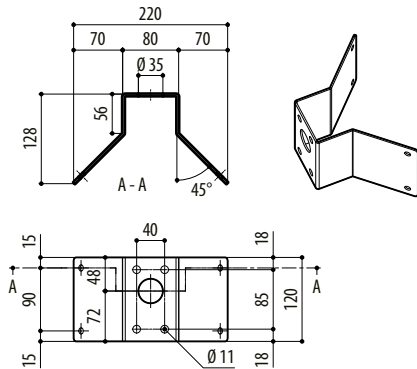
WSFPA



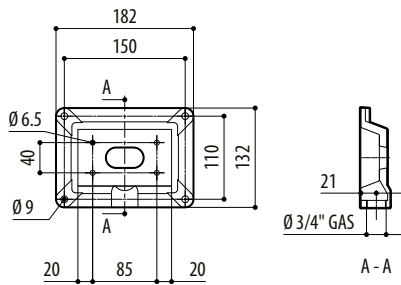
PTCC1



DBHWGC



WCWA



WCPA